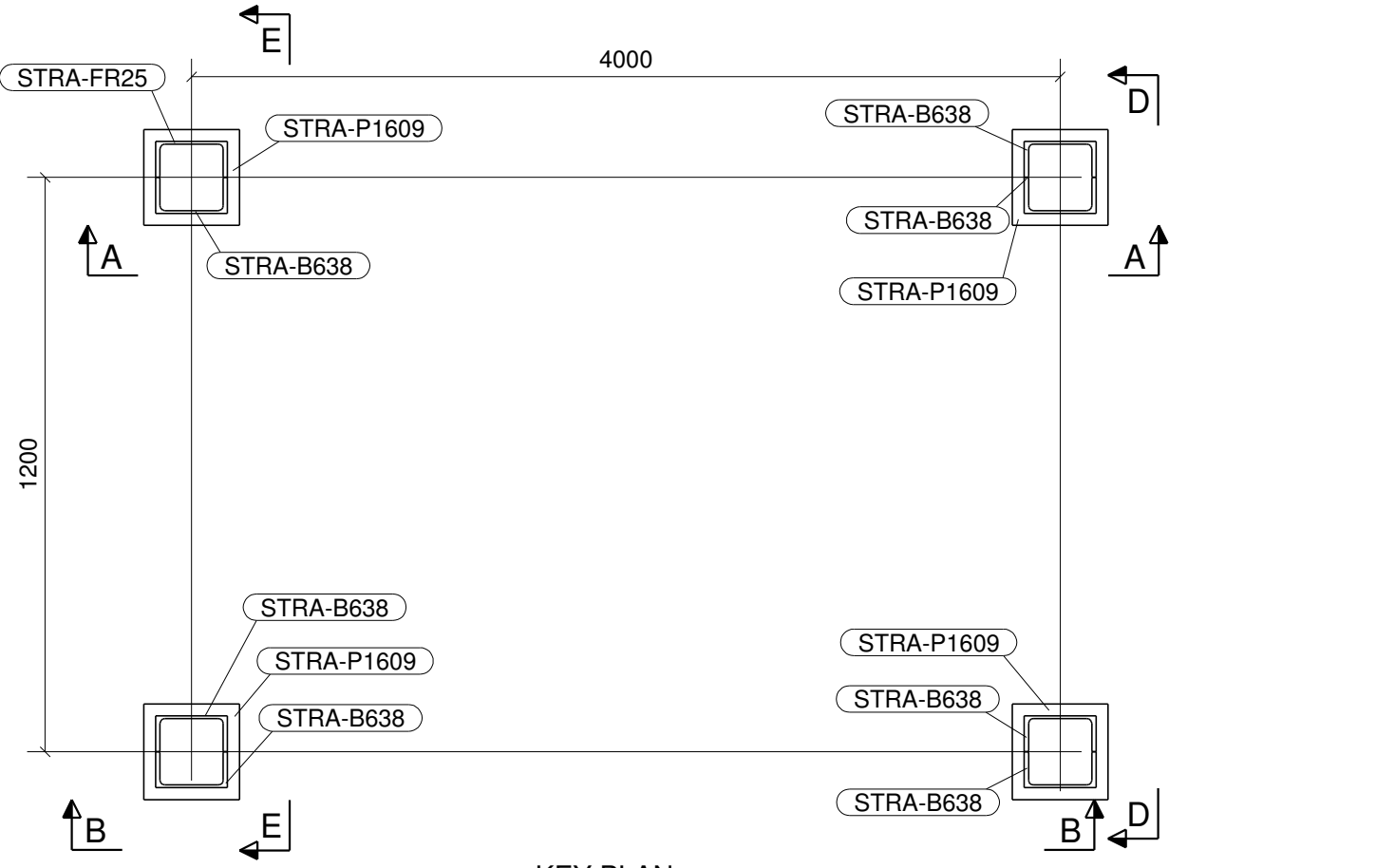
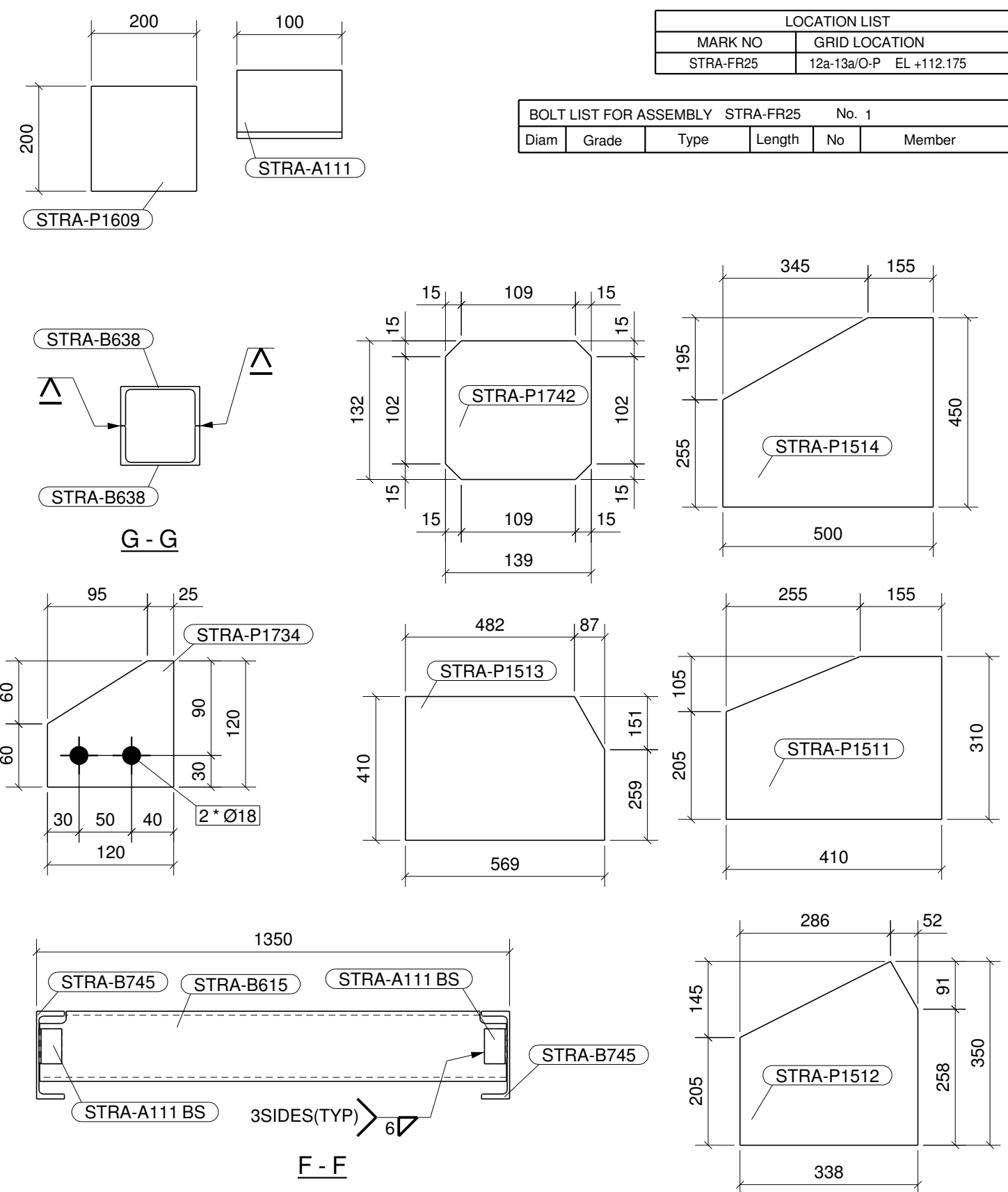


SHOP MATERIAL LIST FOR ONE ASSEMBLY						
MARK	SIZE	GRADE	LENGTH MM	NO	AREA M2	WEIGHT KG
STRA-A111	L65X65X6	IS2062GRA	100	12	0.03	7.01
STRA-A368	L75X75X6	IS2062GRA	1904	2	0.56	25.89
STRA-B604	ISMC200	IS2062GRA	1010	2	0.67	45.19
STRA-B615	ISMC200	IS2062GRA	1332	3	0.89	89.37
STRA-B638	ISMC150	IS2062GRA	2188	7	1.24	256.09
STRA-B745	ISMC250	IS2062GRA	3810	2	2.98	233.29
STRA-FR25	ISMC150	IS2062GRA	2188	1	1.24	36.58
STRA-P1511	PLT10*310	IS2062GRA	410	2	0.13	19.95
STRA-P1512	PLT10*338.2	IS2062GRA	350	2	0.12	18.57
STRA-P1513	PLT10*410	IS2062GRA	569	2	0.23	36.61
STRA-P1514	PLT10*450	IS2062GRA	500	4	0.23	70.65
STRA-P1609	PLT12*200	IS2062GRA	200	4	0.04	15.07
STRA-P1734	PLT12*120	IS2062GRA	120	2	0.01	2.71
STRA-P1742	PLT10*132	IS2062GRA	139	4	0.02	5.74
Total				8.4		862.74



KEY PLAN

0	27.09.2010	ISSUED FOR FABRICATION	VIN	KK	JRR
REV.	DATE	REVISIONS	BY	CHKD	APPD
		ENGINEERS INDIA LIMITED (A Govt. of India Undertaking)			
		मंगलौर रिफाइनरी एवं पेट्रोकेमिकल्स लिमिटेड MANGALORE REFINERY & PETROCHEMICALS LTD.			
		CONSOLIDATED CONSTRUCTION CONSORTIUM LTD. REGISTERED OFF: #5-2nd LINK STREET, C.I.T COLONY MYLAPORE, CHENNAI-600 004 INDIA			
PROJECT					
PHASE-III REFINERY PROJECT MANGALORE					
TITLE					
PFCC / PR UNIT- TECH STRUCTURE A DETAIL OF FRAME					
SCALE	JOB NO.	UNIT	DIVN.	DEPT.	DWG. NO.
1:10	6 9 9 3 3 3	3	1	6 4 8	STRA-FR25
					REV.
					0

NOTES:
ALL DIMENSIONS ARE IN mm (UNO).
ALL WELDS ARE 6mm FILLET (UNO).

1 FRAME REQUIRED AS DRAWN MARKED STRA-FR25 C-C