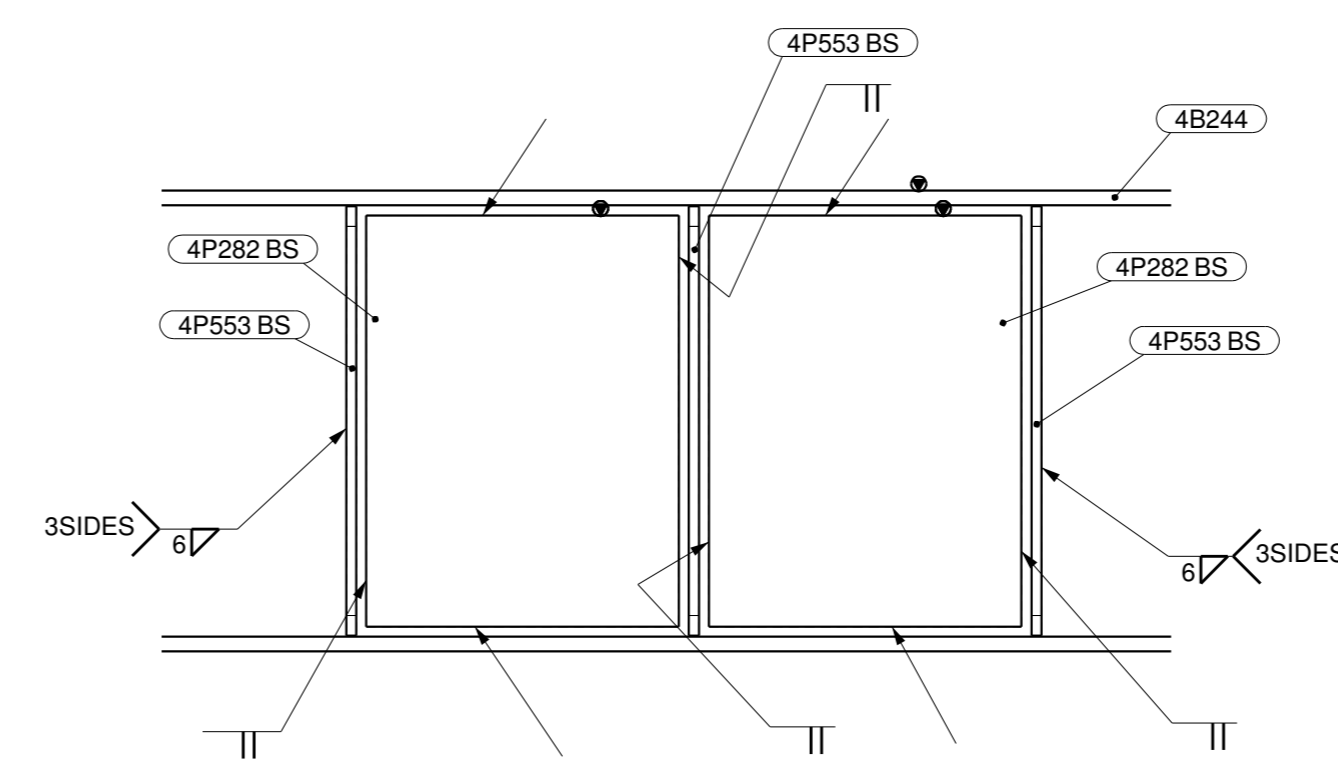


A - A

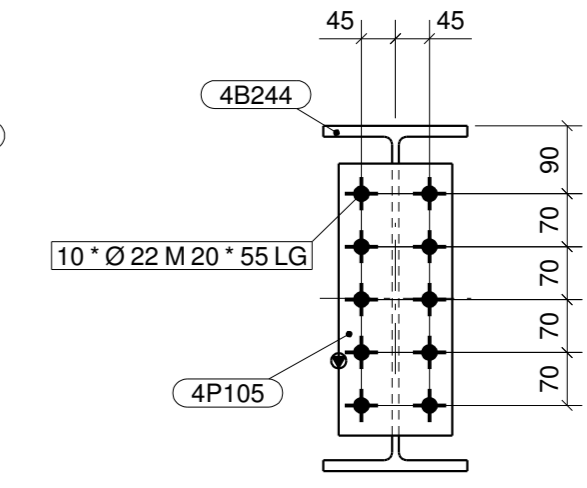


DETAIL 1

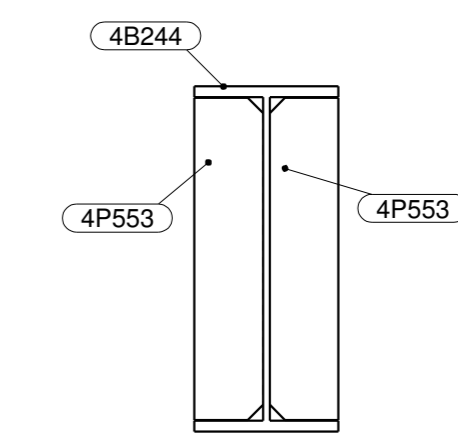
| SHOP MATERIAL LIST FOR ONE ASSEMBLY |              |       |           |    |                     |           |
|-------------------------------------|--------------|-------|-----------|----|---------------------|-----------|
| MARK                                | SIZE         | GRADE | LENGTH MM | NO | AREA M <sup>2</sup> | WEIGHT KG |
| 4B465                               | UC152*152*30 | S275  | 520       | 4  | 0.47                | 62.71     |
| 4P105                               | PLT8*150     | S275  | 360       | 2  | 0.12                | 6.78      |
| 4P282                               | PLT12*309.9  | S275  | 408       | 8  | 0.27                | 95.30     |
| 4P420                               | PLT10*100    | S275  | 432       | 2  | 0.04                | 6.79      |
| 4P551                               | PLT10*100    | S275  | 90        | 4  | 0.01                | 2.83      |
| 4P553                               | PLT10*90.7   | S275  | 426       | 12 | 0.04                | 36.40     |
| 4P577                               | PLT10*89.4   | S275  | 100       | 4  | 0.01                | 2.82      |
| TT4-B83                             | UB457*191*74 | S275  | 5963      | 1  | 9.78                | 445.25    |
| Total                               |              |       |           |    | 10.7                | 658.87    |

| BOLT LIST FOR ASSEMBLY TT4-B83 No. 2 |        |      |        |    |                 |  |
|--------------------------------------|--------|------|--------|----|-----------------|--|
| Diam                                 | Grade  | Type | Length | No | Member          |  |
| 20                                   | 8.8XOX | Site | 50.0   | 2  | TT4-C33         |  |
| 20                                   | 8.8XOX | Site | 55.0   | 10 | TT4-C16         |  |
| 20                                   | 8.8XOX | Site | 65.0   | 10 | TT4-C33 TT4-B97 |  |

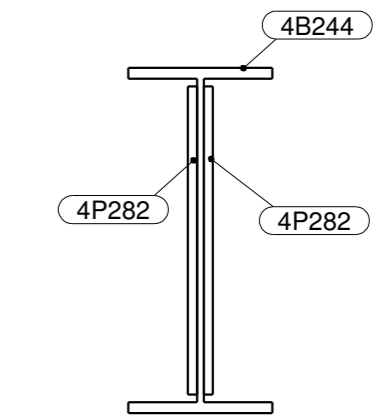
| LOCATION LIST |               |            |
|---------------|---------------|------------|
| MARK NO       | GRID LOCATION |            |
| TT4-B83       | C7-8          | EL +12.550 |
| TT4-B83       | E7-8          | EL +12.550 |



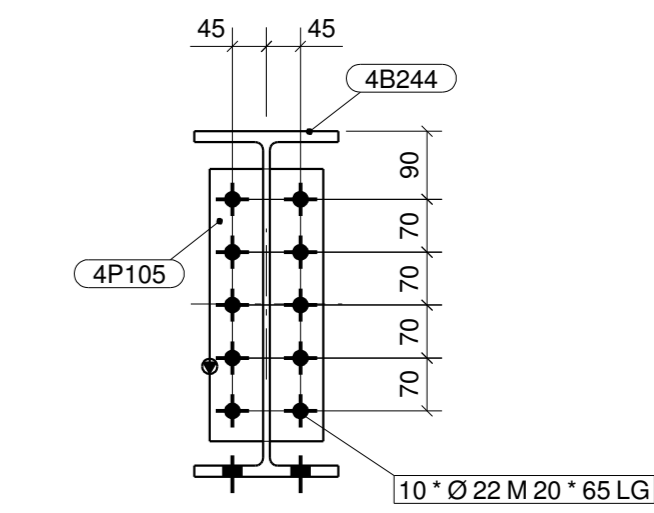
B - B



C - C



D - D



E - E

2 BEAM REQUIRED AS DRAWN MARKED TT4-B83

NOTE:  
1- ALL DIMENSIONNS ARE IN MM & LEVELS ARE IN METRES (UNO).

PURCHASER:  
**LION BLAST FURNACE SDN. BHD.,**

CONTRACTOR:  
**MUTIARA ETNIK SDN. BHD.,**

| Rev. | Revision note          | Date       | By  | Checked |
|------|------------------------|------------|-----|---------|
| 1    | ISSUED FOR FABRICATION | 02.07.2009 | VIN | KK      |

STRUCTURAL STEEL DESIGN & DETAILING BY:  
**Yugasoft**

PROJECT:  
**RAW MATERIAL YARD  
TOTAL STORAGE CAPACITY 1,920,000 TONS**

| DESIGN   | BY   | DATE       | TITLE:  |
|----------|------|------------|---|
| DRAWN    | MK   | 30.05.2009 | <b>TRANSFER TOWER TT-4<br/>DETAIL OF BEAM</b> |
| CHECKED  | VIN  | 30.05.2009 |   |
| APPROVED | KK   | 29.06.2009 |   |
| SCALE    | KMD  |            |   |
|          | 1:10 |            |   |

DRAWING NO: **TT4-B83** REV: **1**