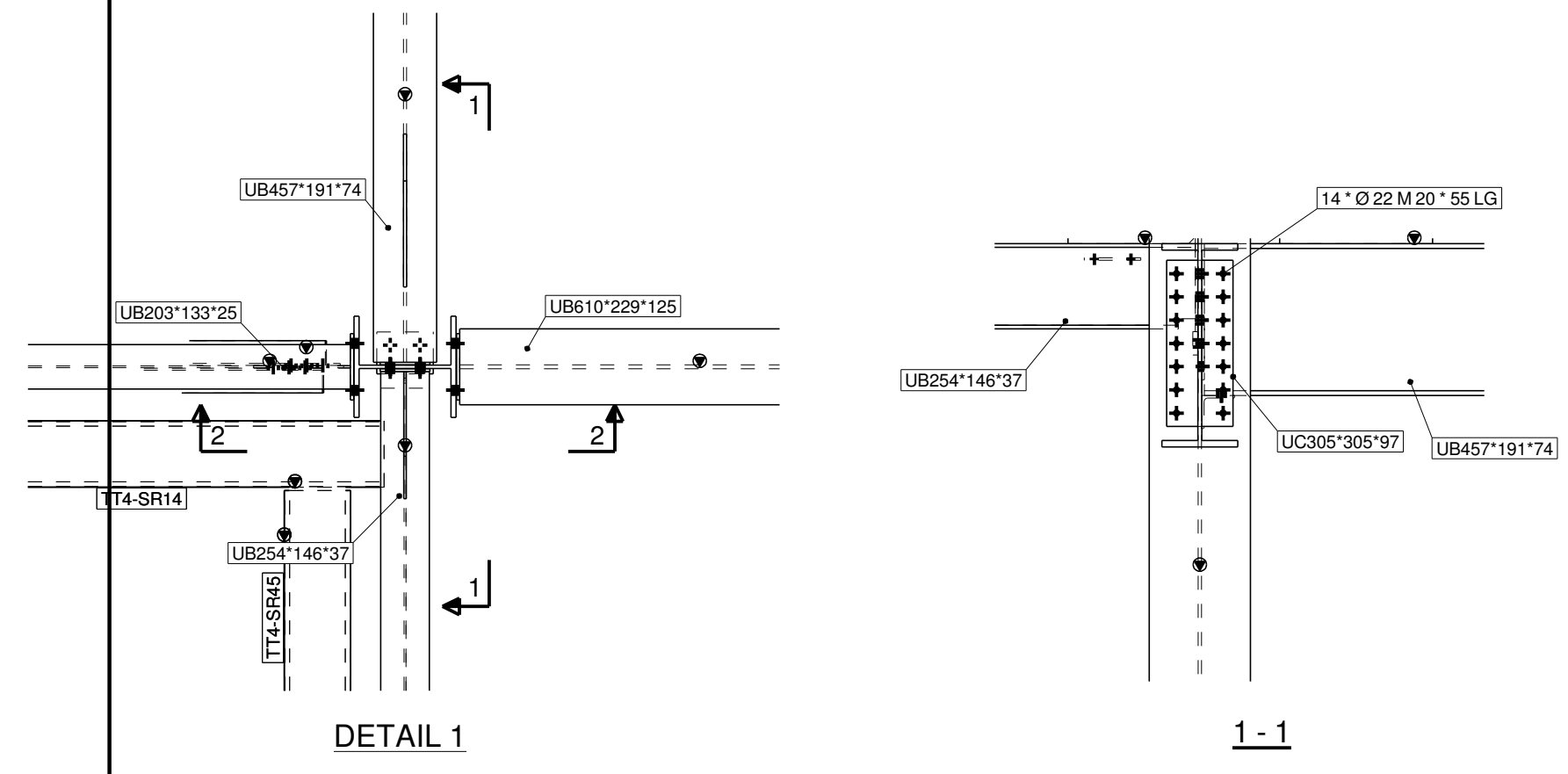
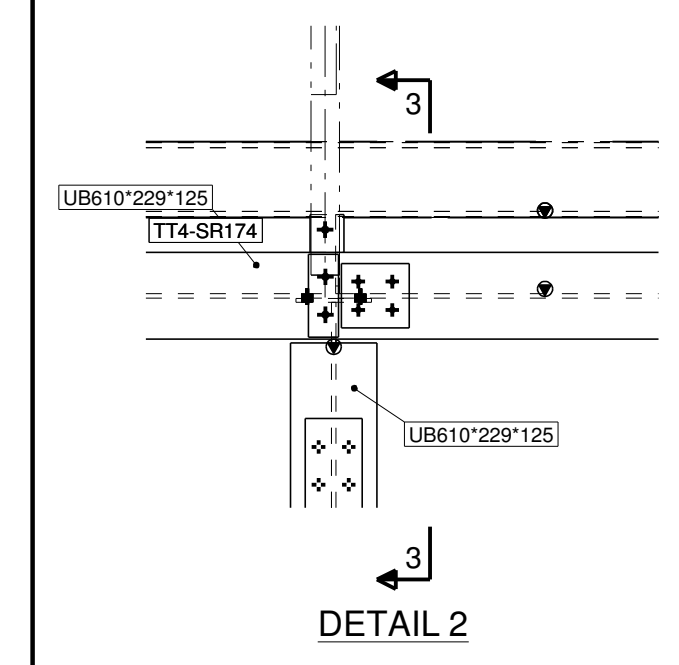


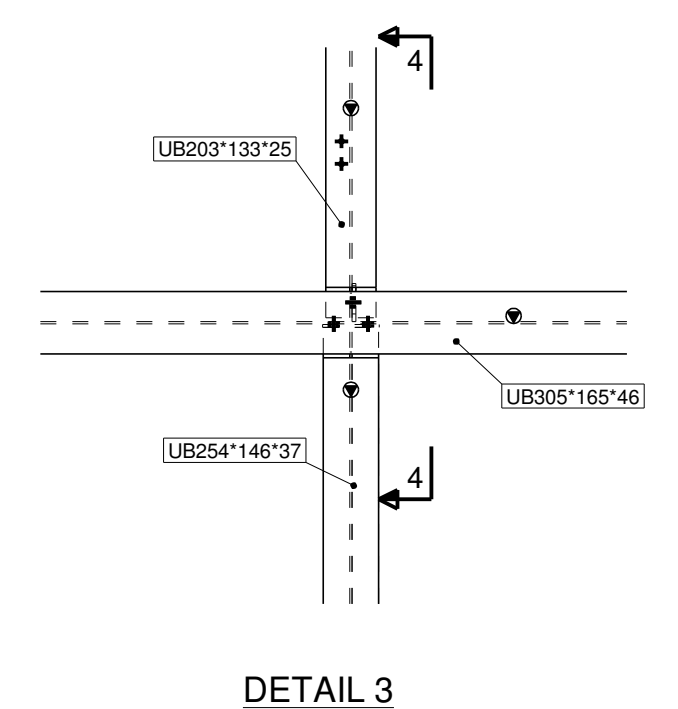
PLAN AT EL.(+3.475 M. (T.O.S)
PLAN AT EL.(+3.500(T.O.G)



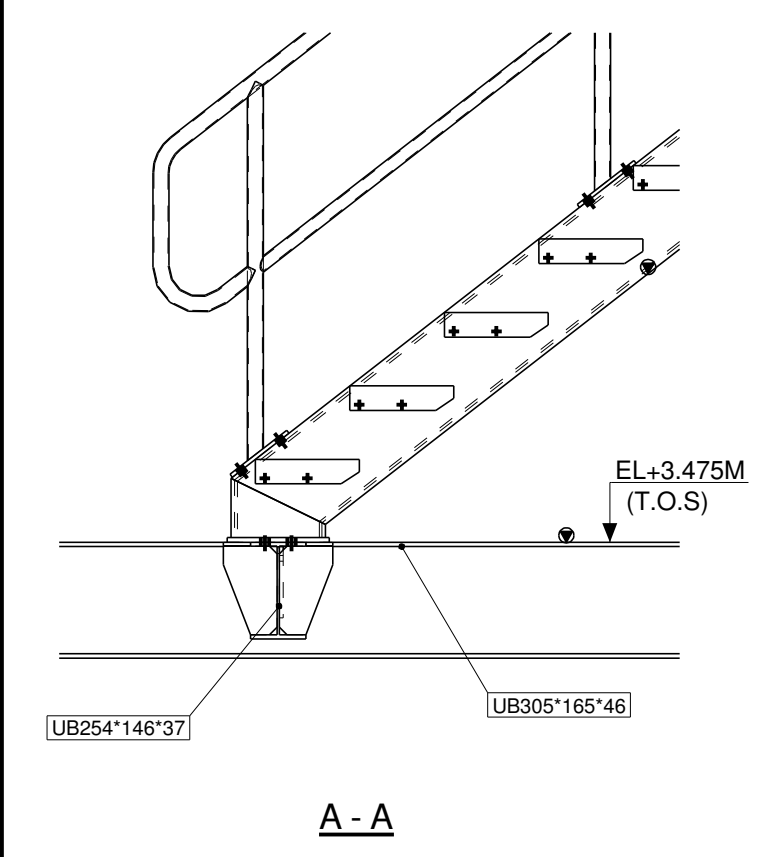
DETAIL 1



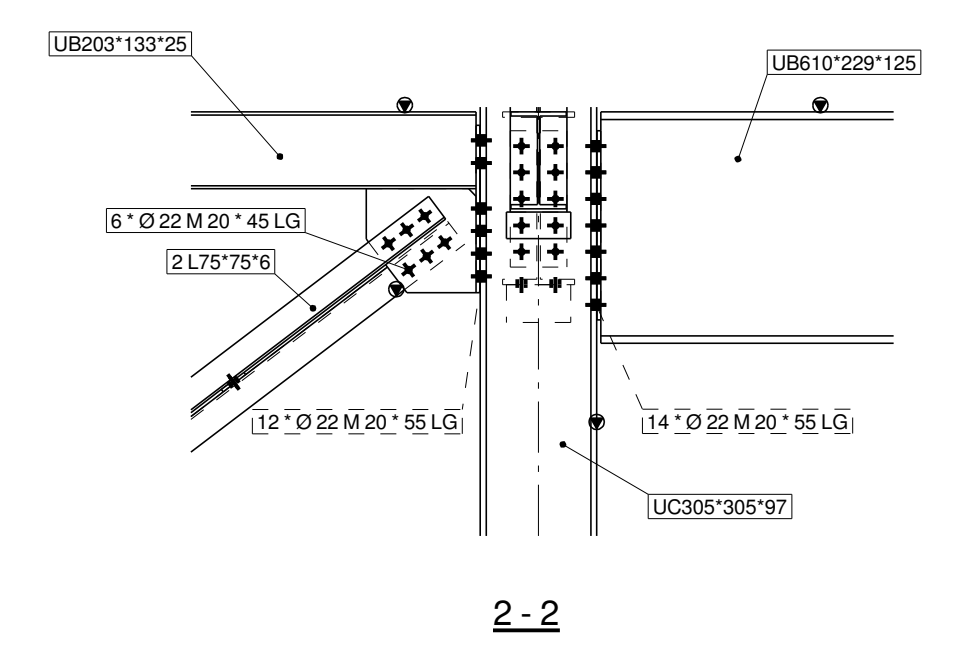
DETAIL 2



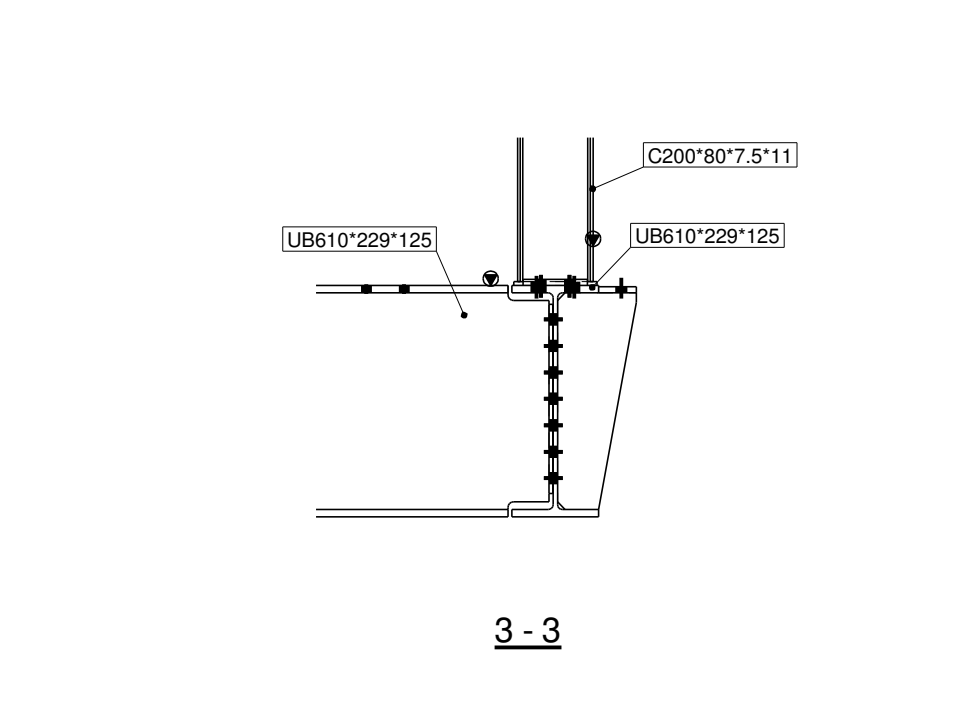
DETAIL 3



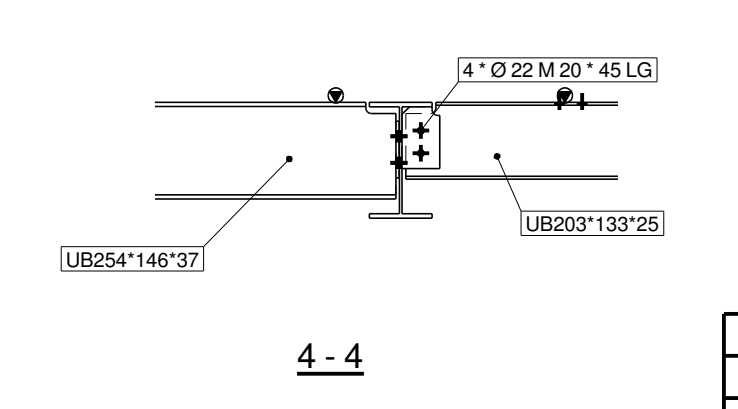
A-A



2-2



3-3



4-4

LEGEND:

1. T.O.S-TOP OF STEEL
2. T.O.G-TOP OF GRATING
3. UB-UNIVERSAL BEAM
4. UC-UNIVERSAL COLUMN
5. L- ANGLE

NOTES:

1. ALL DIMENSIONS ARE IN mm.
2. ALL LEVELS ARE IN METRE
3. FOR GENERAL NOTES REFER - LBF/MESB/8002/RMY/S/GN/001
4. ALL MATERIALS SHALL BE OF GRADE S275
5. ALL BOLTS SHALL CONFIRM TO GRADE 8.8
6. READ THIS DRG. IN CONJUNCTION WITH DRG. NOS. LBF/MESB/8002/RMY/S/TT4/ 005 TO 027

1	02.07.2009	ISSUED FOR CONSTRUCTION	GR	
Rev.	Date	Revision note	By	Remark
PURCHASER:				
CONTRACTOR:				
STRUCTURAL STEEL DESIGN & DETAILING BY:				
PROJECT:				
RAW MATERIAL YARD TOTAL STORAGE CAPACITY 1,920,000 TONS				
DESIGN	BY	TITLE:		
DRAWN	MK	TRANSFER TOWER TT-4 FLOOR PLAN @ EL.+3.475 (T.O.S) PLAN AT EL.(+3.500 M (T.O.G)		
CHECKED	GR			
APPROVED	KK			
SCALE	KMD			
	1:20			
Date	JOB No.:	DRAWING NO.:	REV.	
20.11.2008	PRO 8002	LBF/MESB/8002/RMY/S/TT4/024	1	