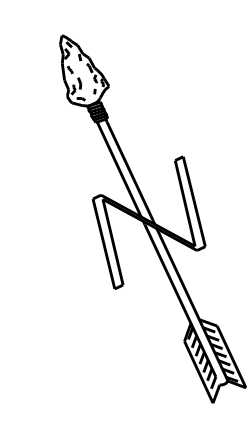
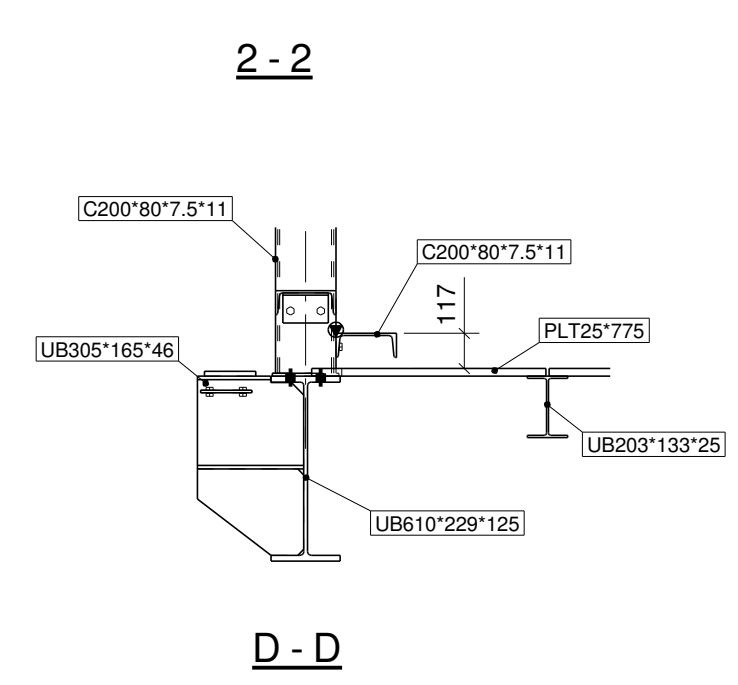
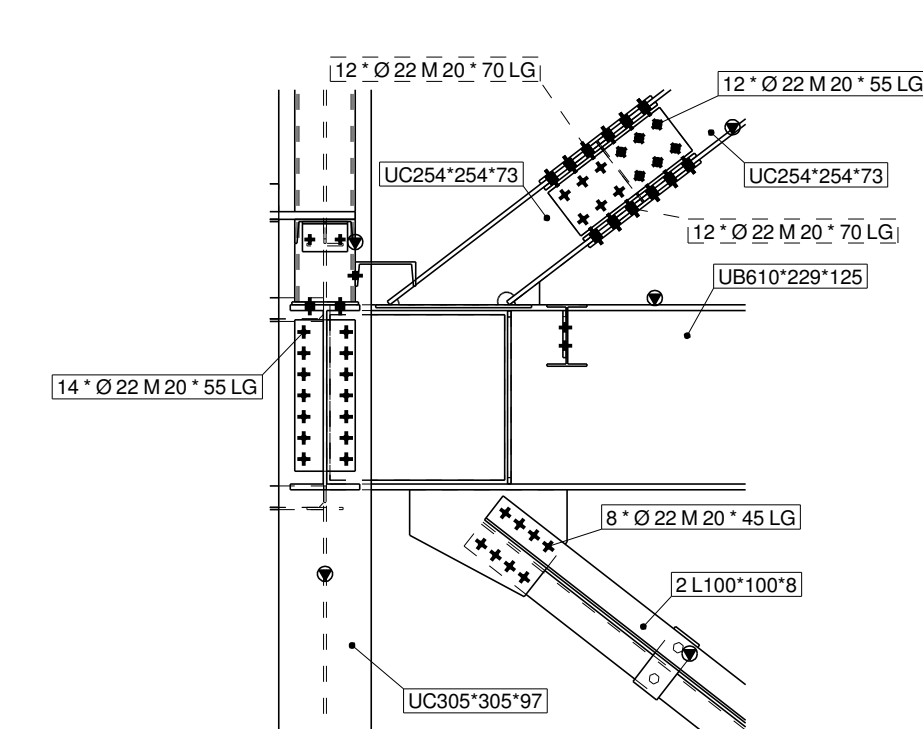
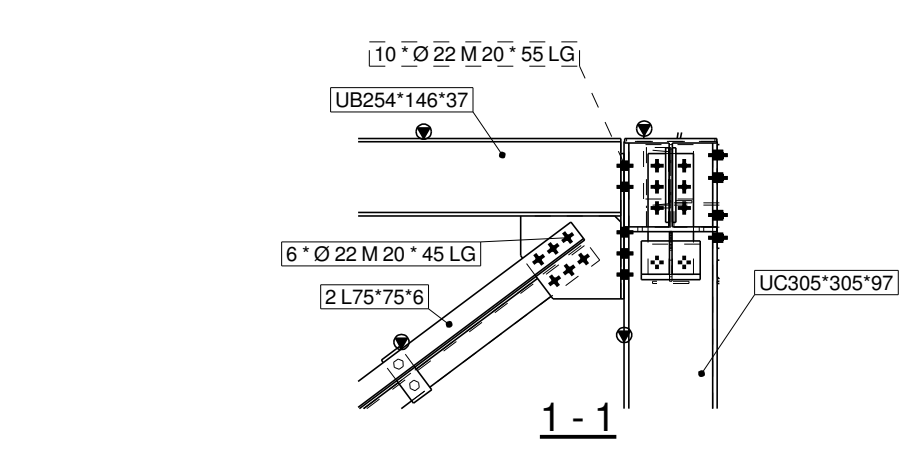
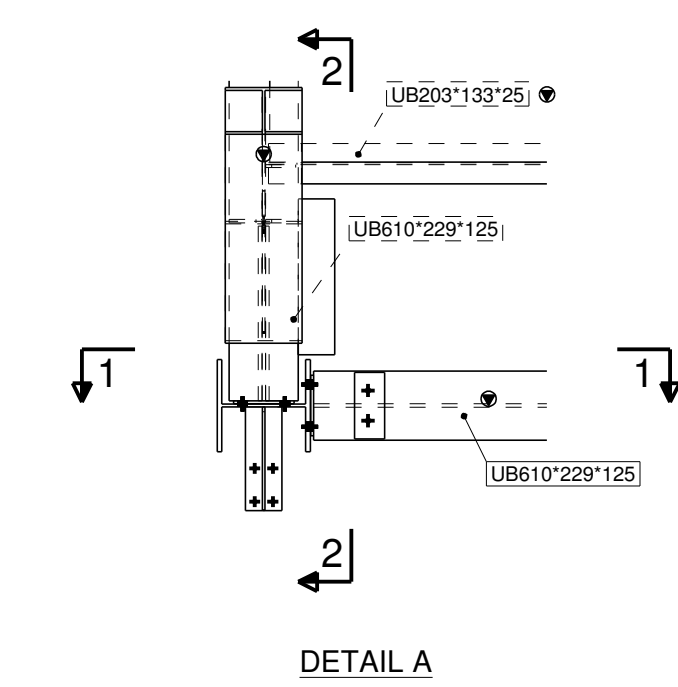


PLAN @ EL.+6.475(T.O.S)
PLAN @ EL+6.500(T.O.G)



LEGEND:

1. T.O.S- TOP OF STEEL
2. T.O.G- TOP OF GRATING
3. UB- UNIVERSAL BEAM
4. UC- UNIVERSAL COLUMN
5. L- ANGLE

NOTES:

1. ALL DIMENSIONS ARE IN mm.
2. ALL LEVELS ARE IN METRE.
3. FOR GENERAL NOTES REFER - LBF/MESB/8002/RMY/SGN/001
4. ALL MATERIALS SHALL BE OF GRADE S275
5. ALL BOLTS SHALL CONFIRM TO GRADE 8.8
6. READ THIS DRG. IN CONJUNCTION WITH DRG. NOS. LBF/MESB/8002/RMY/S/TT4/004 & 006 TO 027

1	02.07.2009	ISSUED FOR CONSTRUCTION	GR	
Rev.	Date	Revision note	By	Remark
PURCHASER:				
CONTRACTOR:				
STRUCTURAL STEEL DESIGN & DETAILING BY:				
PROJECT:				
RAW MATERIAL YARD TOTAL STORAGE CAPACITY 1,920,000 TONS				
DESIGN	BY	TITLE:		
DRAWN	MK	TRANSFER TOWER TT-4 FLOOR PLAN @ EL.+6.475M (T.O.S) PLAN @ EL+6.500M (T.O.G)		
CHECKED	GR			
APPROVED	KK			
SCALE	KMD			
	1:25			
Date	JOB No.:	DRAWING NO.:	REV.	
20.11.2008	PRO 8002	LBF/MESB/8002/RMY/S/TT4/025	1	