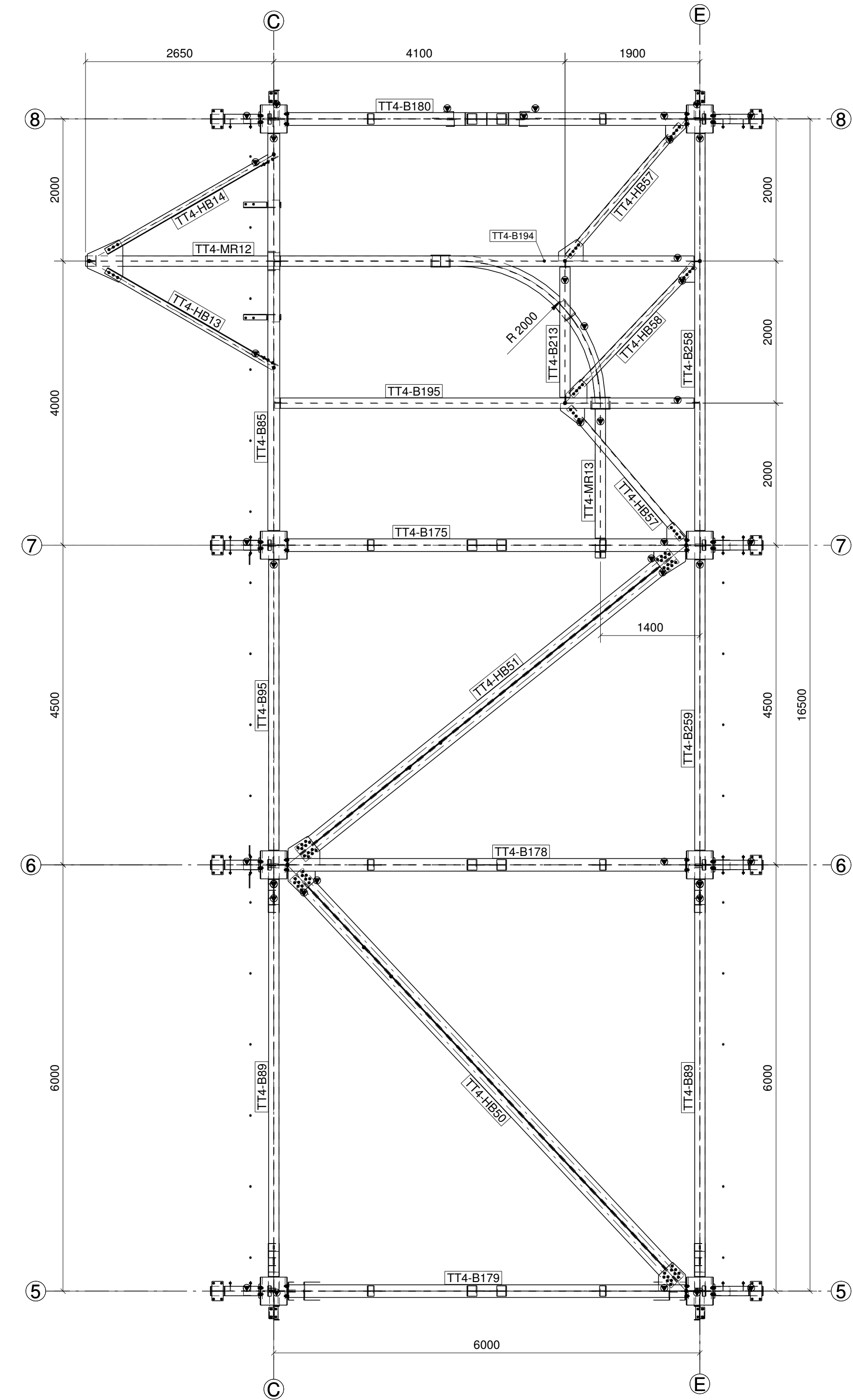
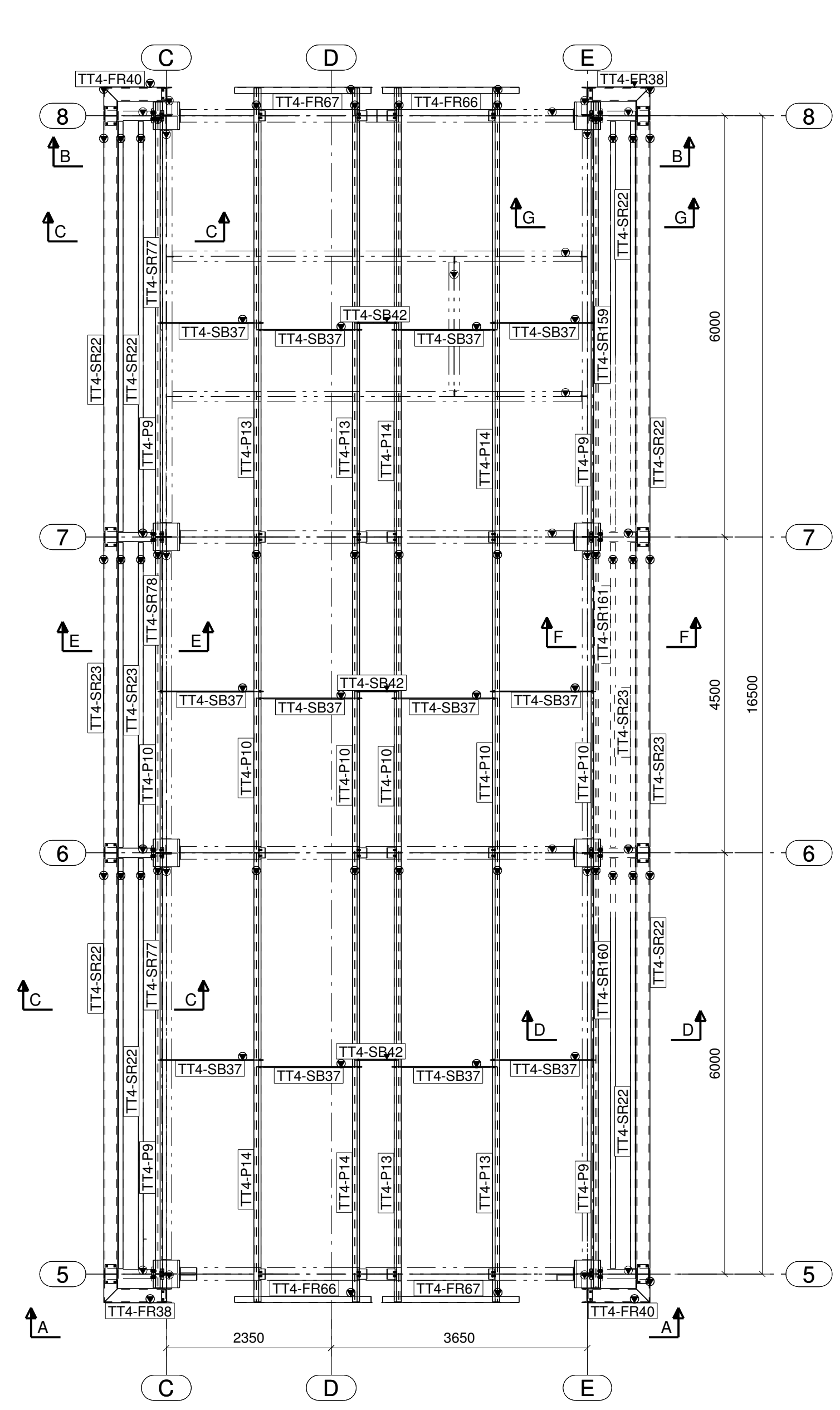


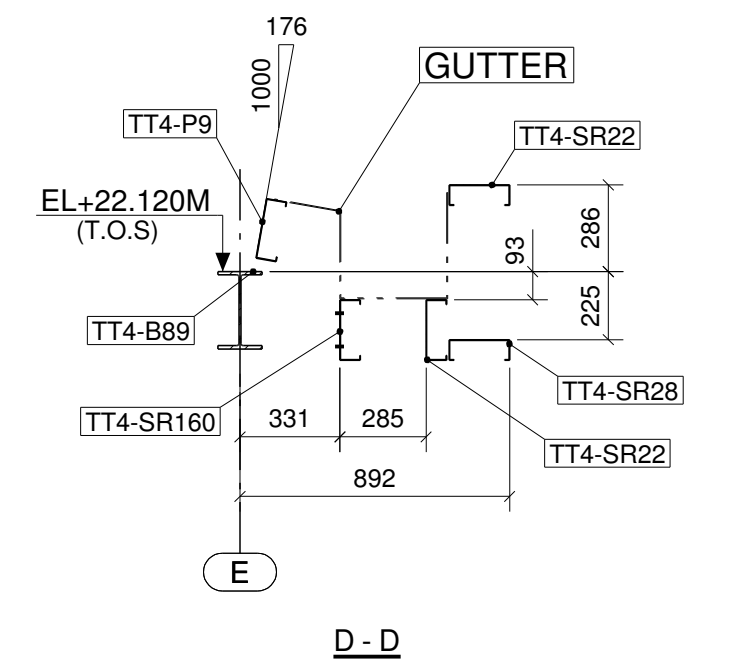
PLAN AT EL.(+)17.100 M.(T.O.S)
PLAN AT EL.(+)17.125M.(T.O.G)



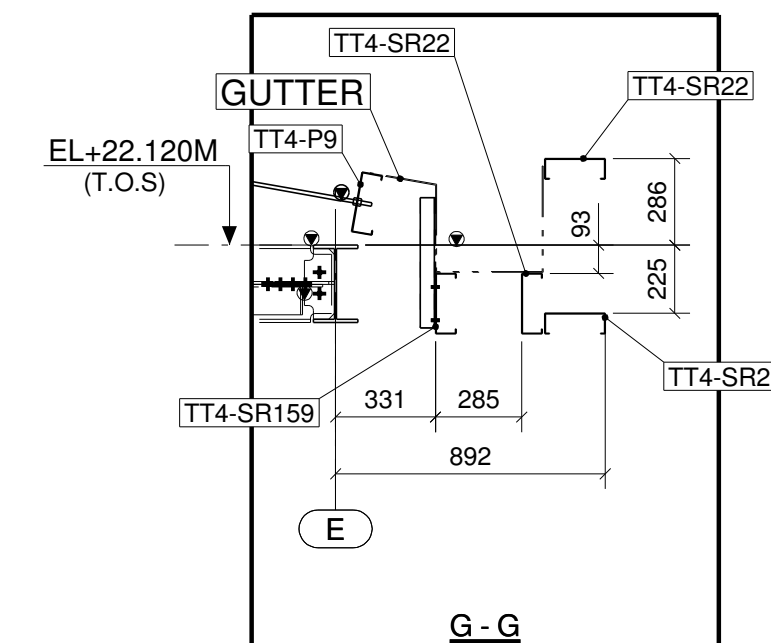
PLAN AT EL.(+)22.120 M.



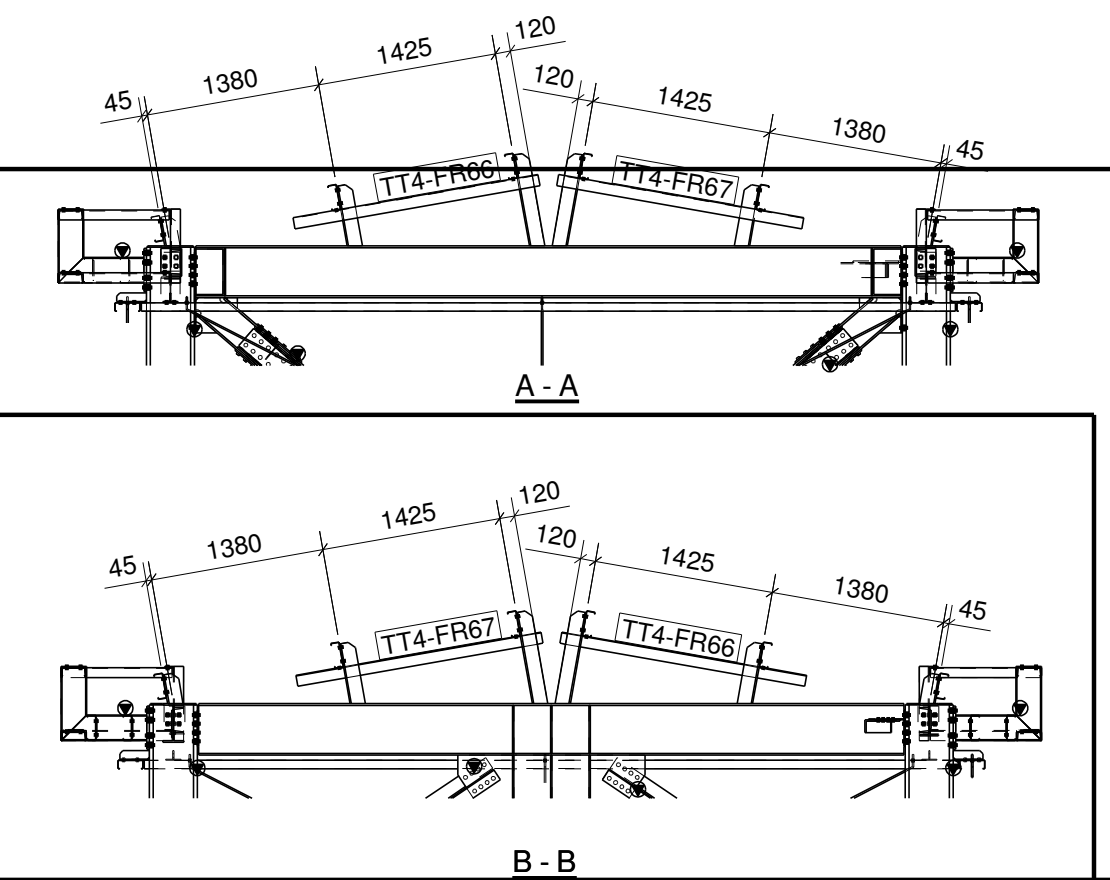
ROOF PURLIN LAYOUT
(ABOVE 22.120 M.)



D-D

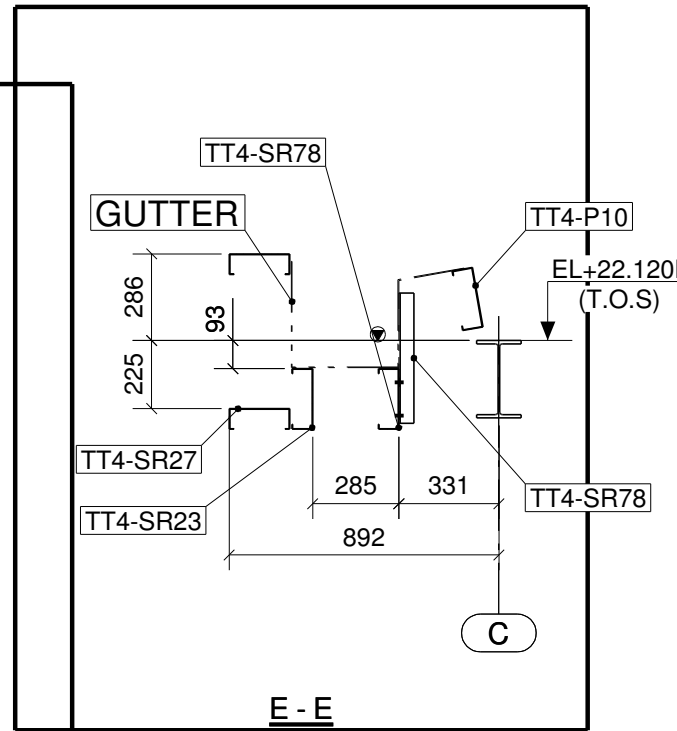


G-G

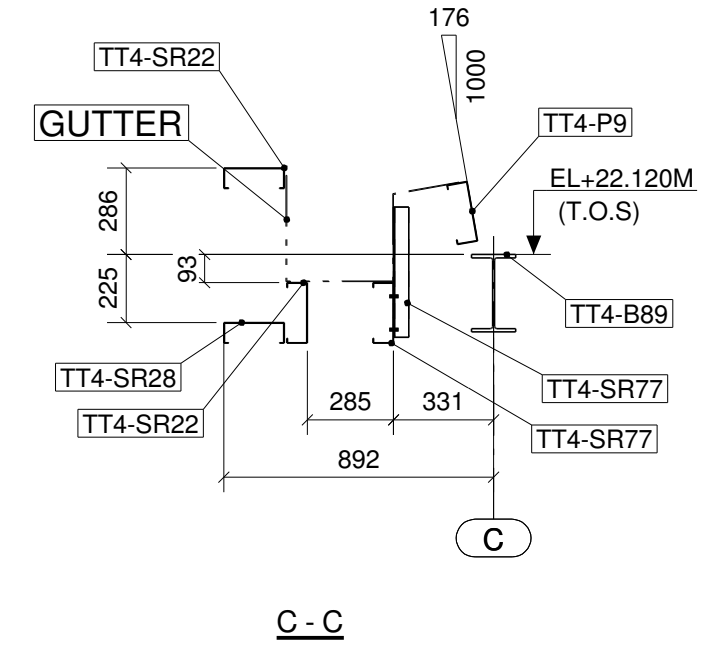


A-A

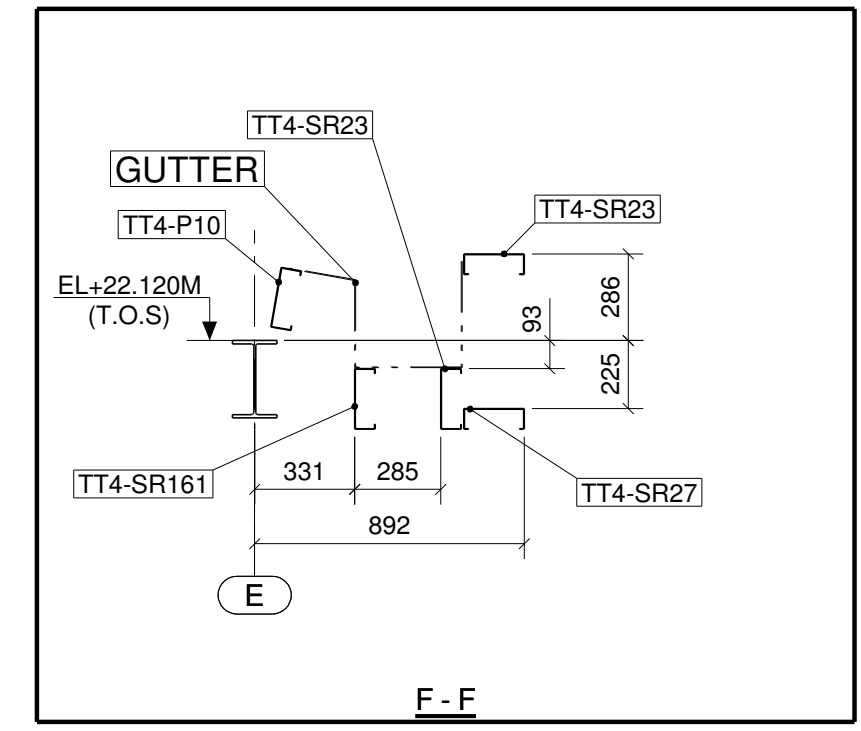
B-B



E-E



C-C



F-F

LEGEND:

1. T.O.S-TOP OF STEEL
 2. T.O.G-TOP OF GRATING
 3. UB-UNIVERSAL BEAM
 4. UC-UNIVERSAL COLUMN
 5. L- ANGLE
- NOTES:
1. ALL DIMENSIONS ARE IN MM.
 2. ALL LEVELS ARE IN METRE.
 3. FOR GENERAL NOTES REFER LBF/MESB/8002/RMY/S/GN/001
 4. ALL MATERIALS SHALL BE OF GRADE S275
 5. ALL BOLTS SHALL CONFIRM TO GRADE 8.8
 6. READ THIS DRG. IN CONJUNCTION WITH DRG. NOS. LBF/MESB/8002/RMY/S/TT4/004 TO 006 & 008 TO 027

1	02.07.2009	ISSUED FOR CONSTRUCTION	GR	
Rev.	Date	Revision note	By	Remark
PURCHASER:		LION BLAST FURNACE SDN. BHD.,		
CONTRACTOR:		MUTIARA ETNIK SDN. BHD.,		
STRUCTURAL STEEL DESIGN & DETAILING BY:				
		Yugasoft		
PROJECT:		RAW MATERIAL YARD TOTAL STORAGE CAPACITY 1,920,000 TONS		
DESIGN	MK	TITLE:	TRANSFER TOWER TT-4	
DRAWN	GR	PLAN @ 17.100M & 22.120M LVL.(T.O.S)		
CHECKED	KK	PURLIN LAYOUT EL+22.120M LVL.		
APPROVED	KMD			
SCALE	1:25			
Date	JOB No.:	DRAWING NO.:	REV.	
20.11.2008	PRO 8002	LBF/MESB/8002/RMY/S/TT4/028	1	