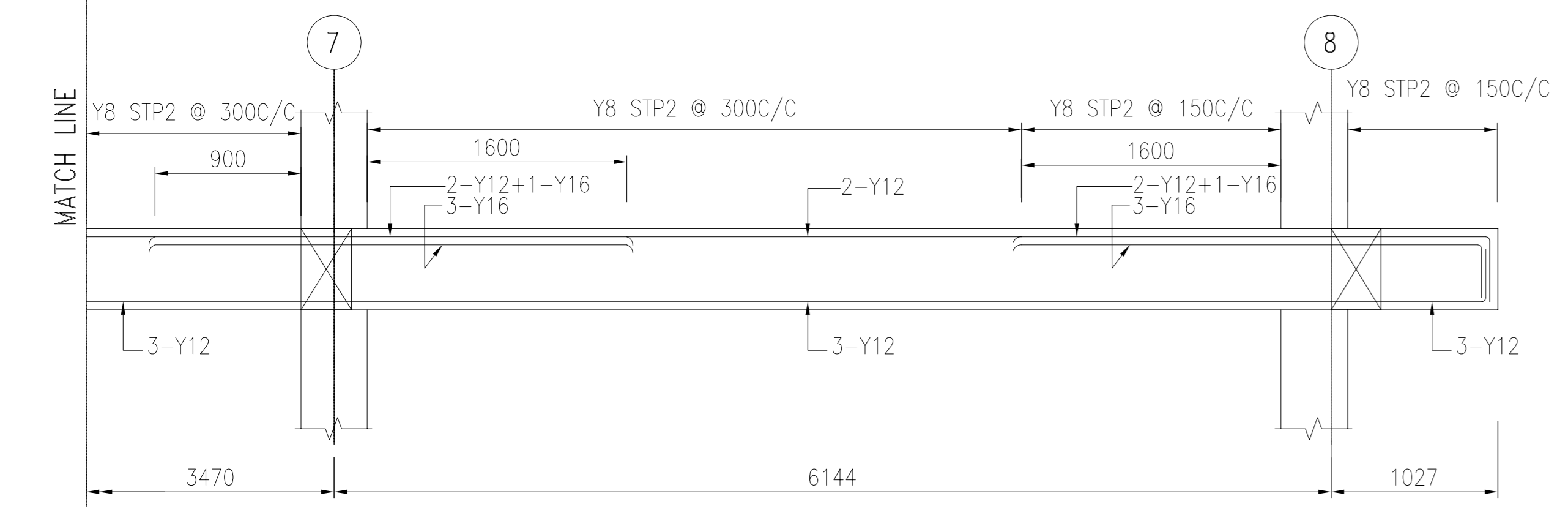
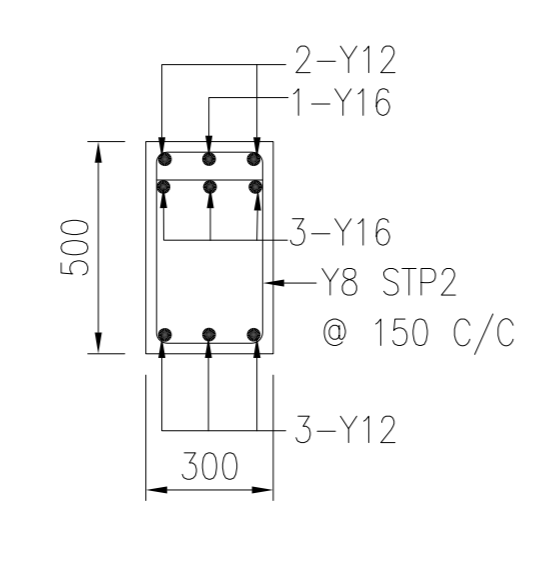


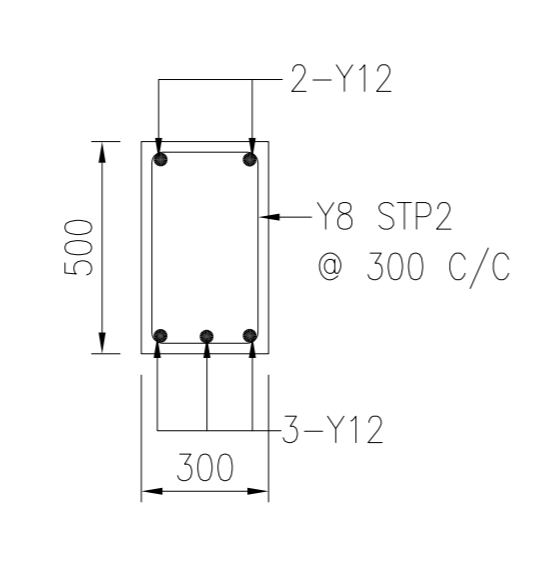
L.S OF BEAM - PB1 (300X500)



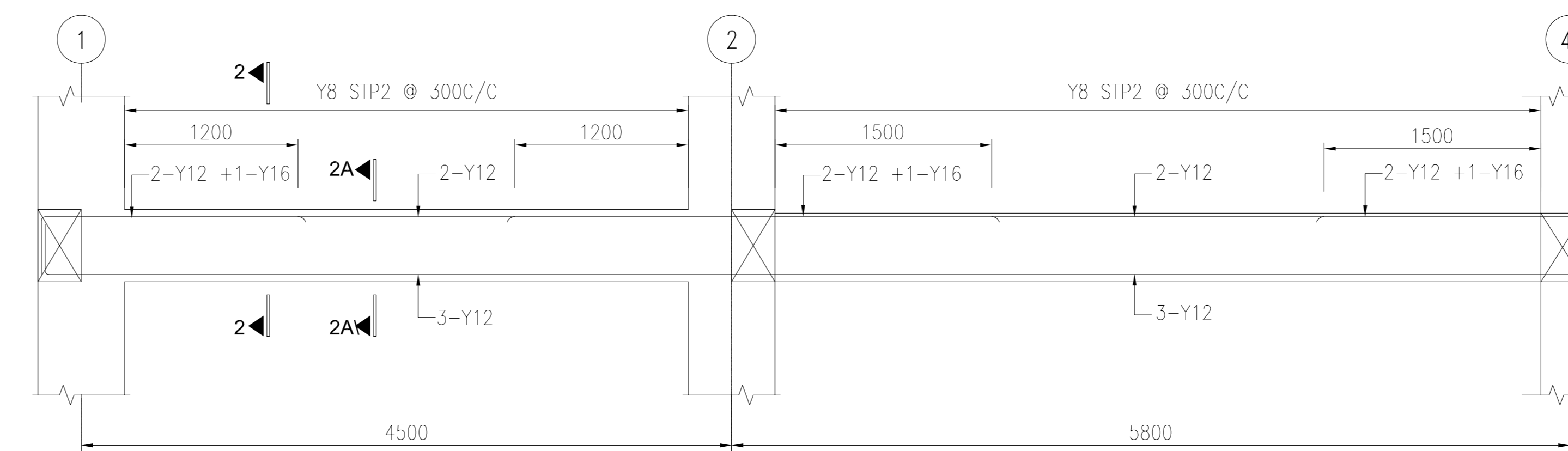
L.S OF BEAM - PB1 (300X500)



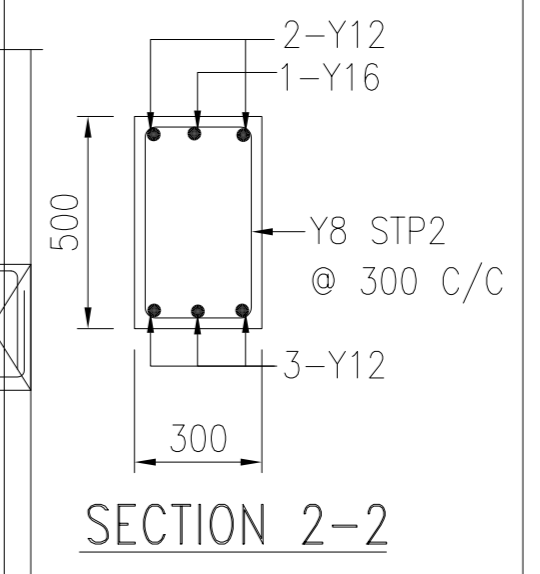
SECTION 1-1



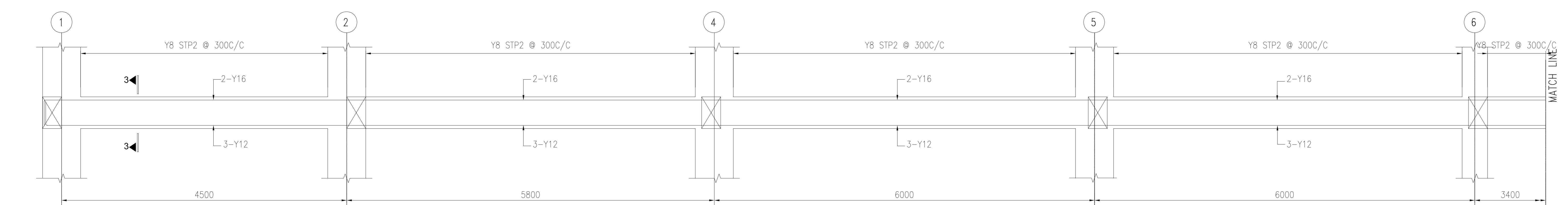
SECTION 1A-1A



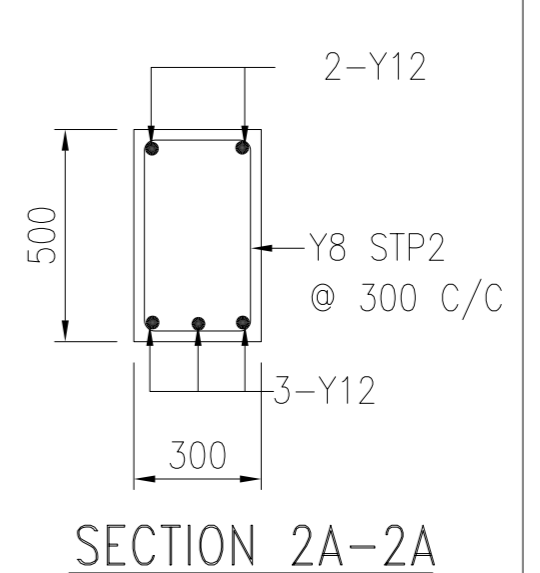
L.S OF BEAM - PB2 (300X500)



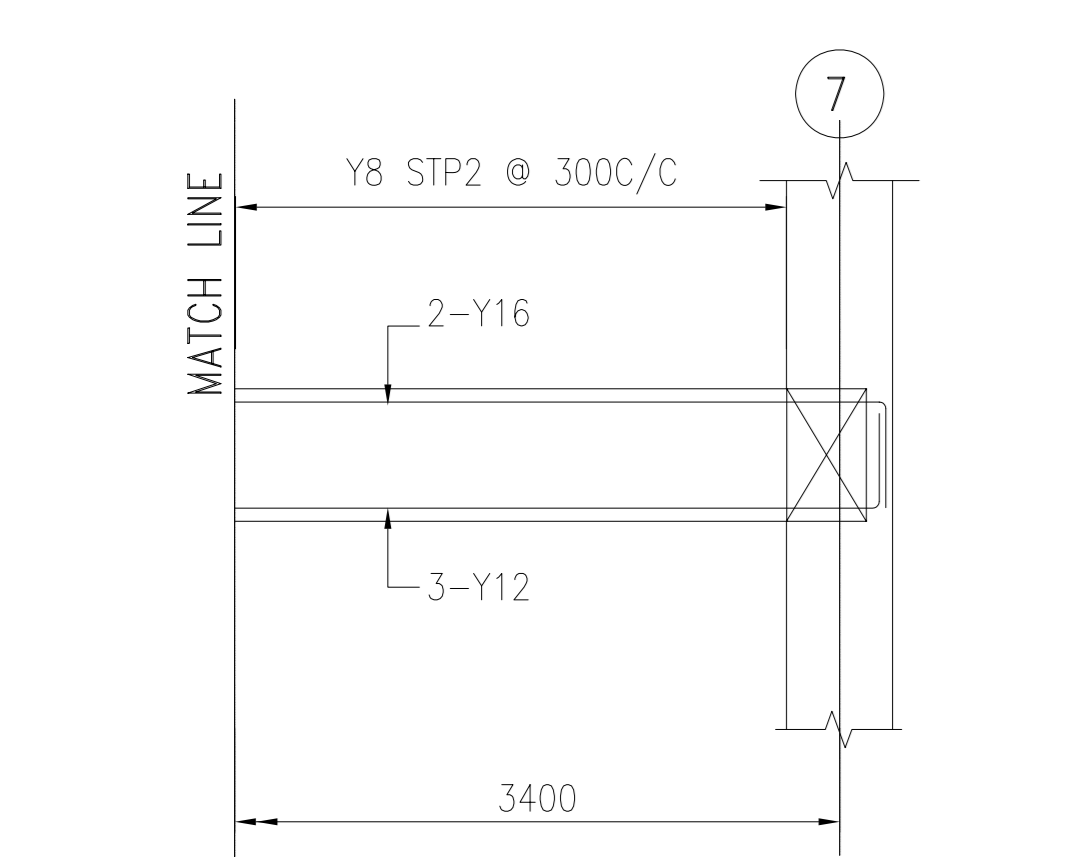
SECTION 2-2



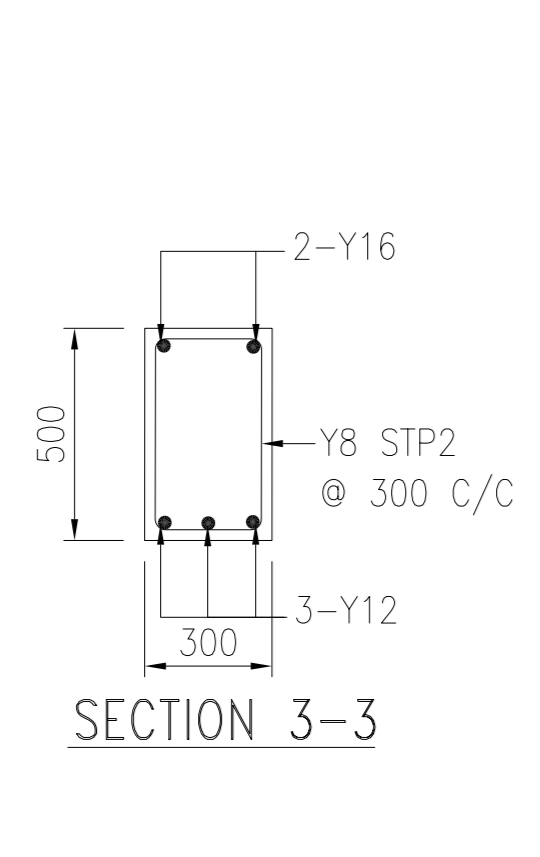
L.S OF BEAM - PB3 (300X500)



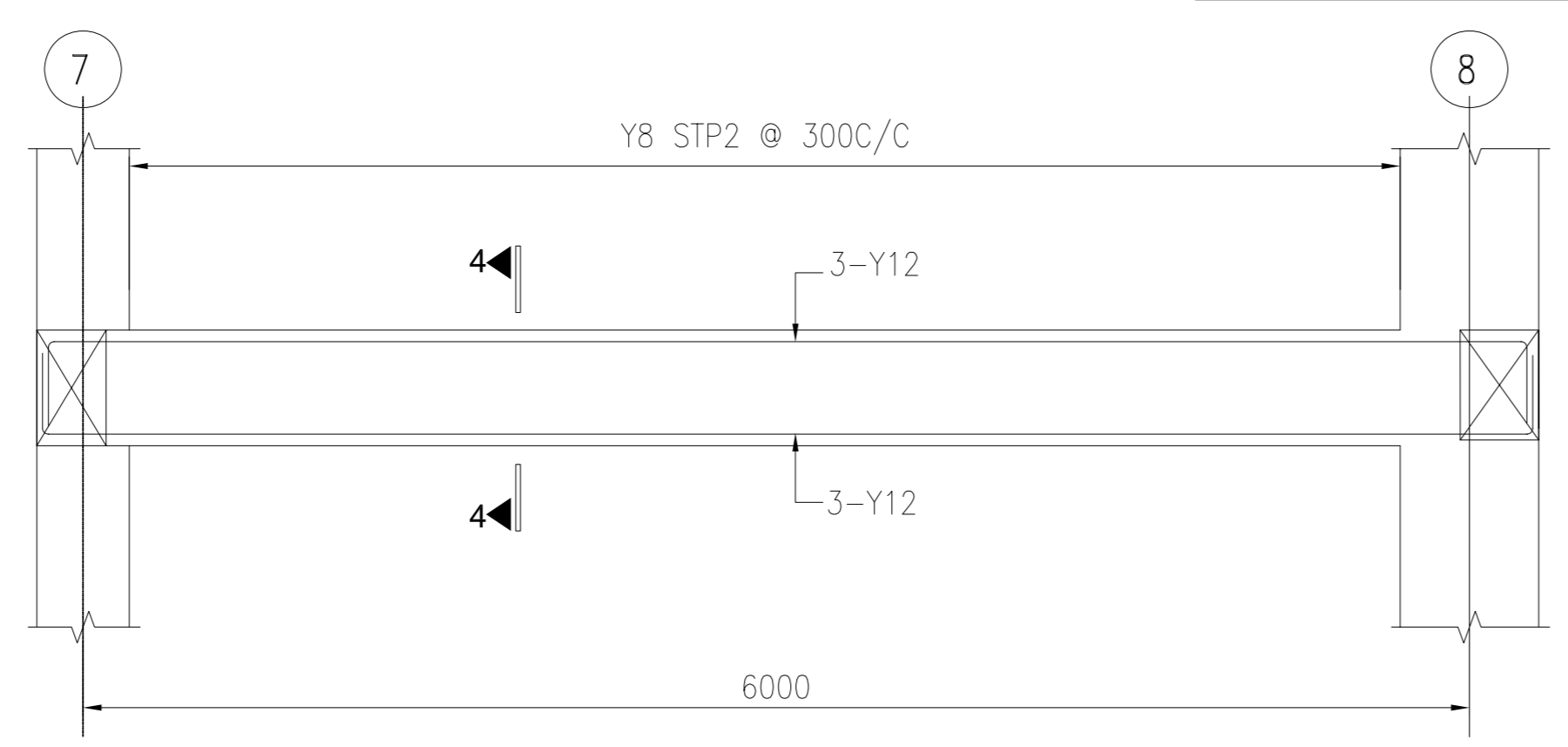
SECTION 2A-2A



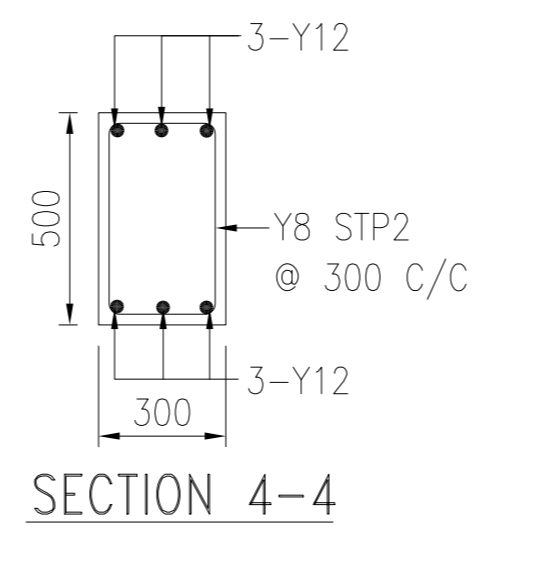
L.S OF BEAM - PB3 (300X500)



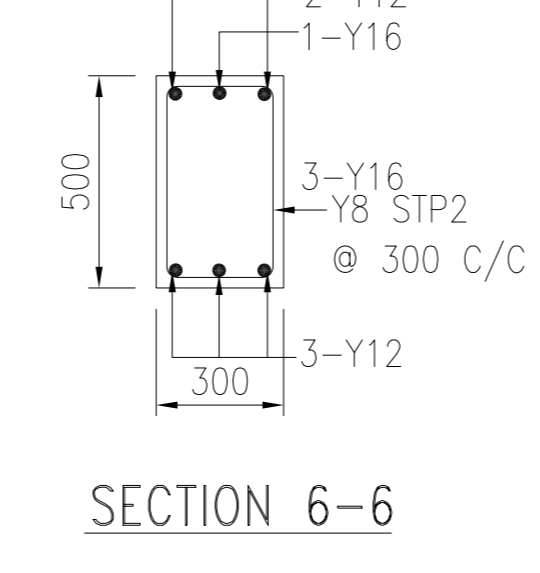
SECTION 3-3



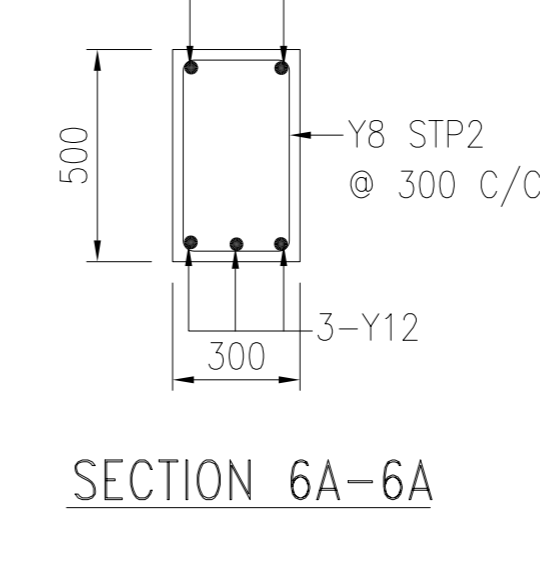
L.S OF BEAM - PB4 (300X500)



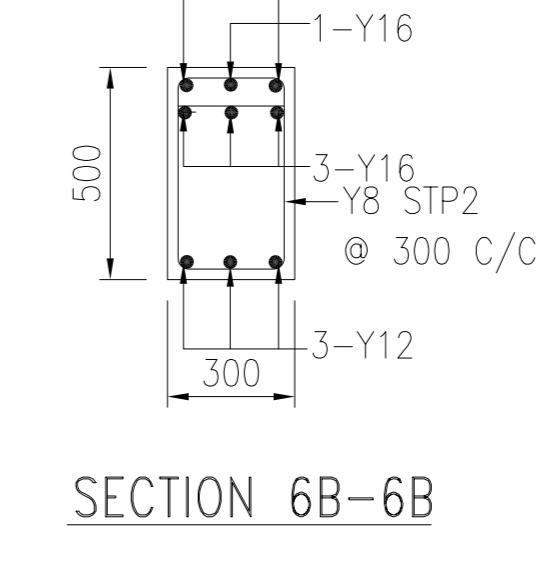
SECTION 4-4



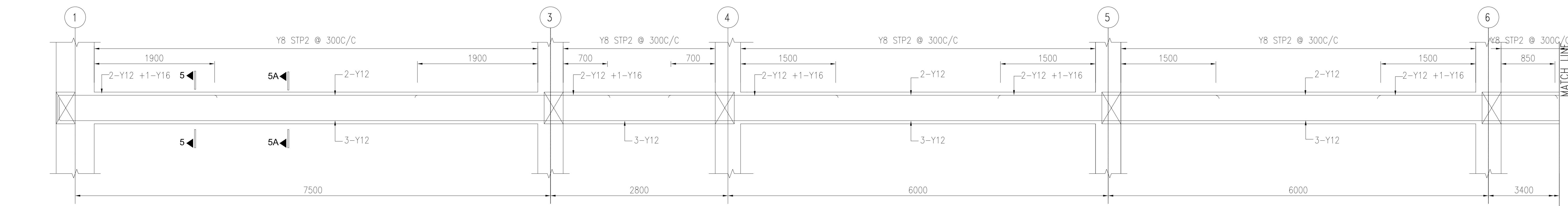
SECTION 6-6



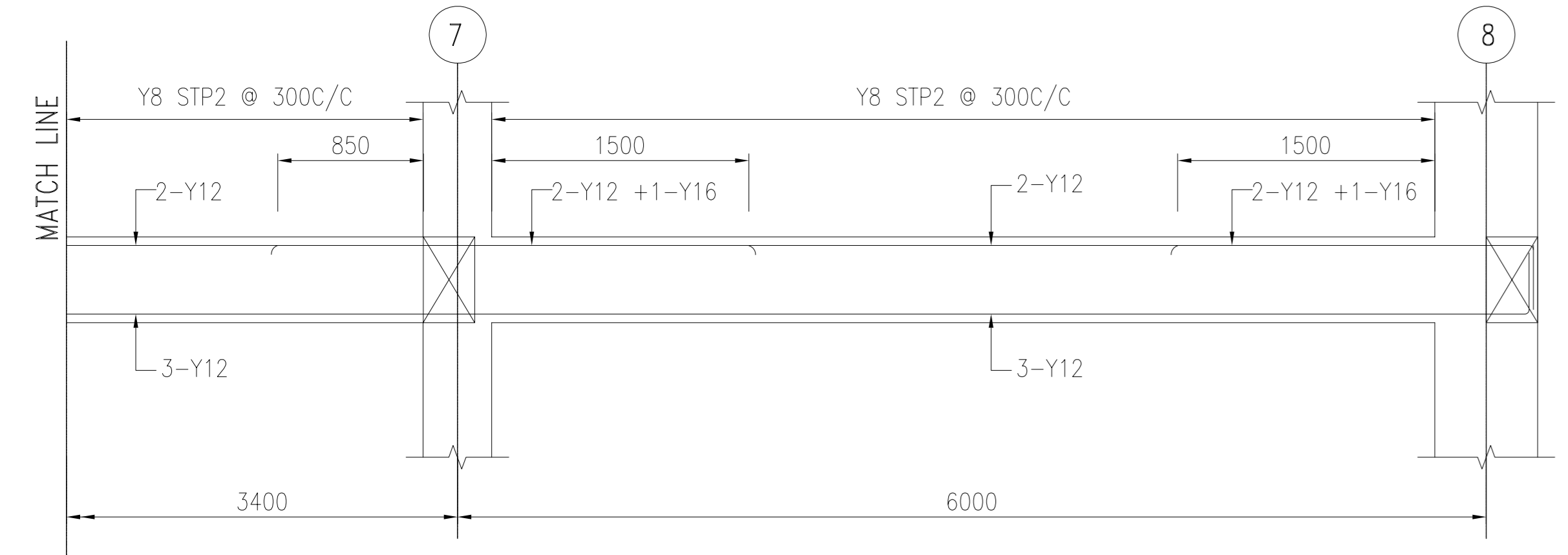
SECTION 6A-6A



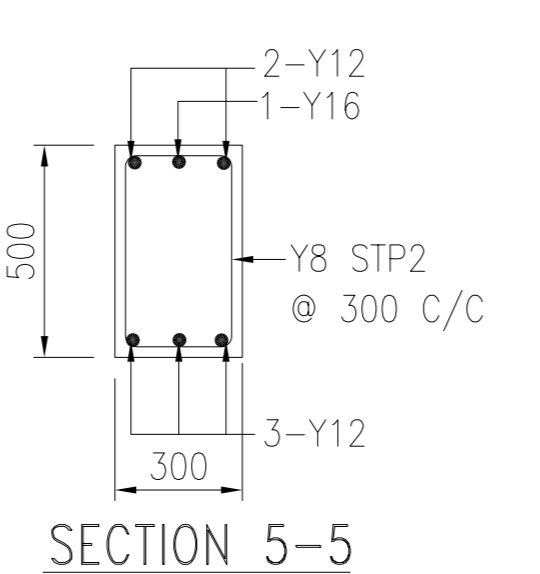
SECTION 6B-6B



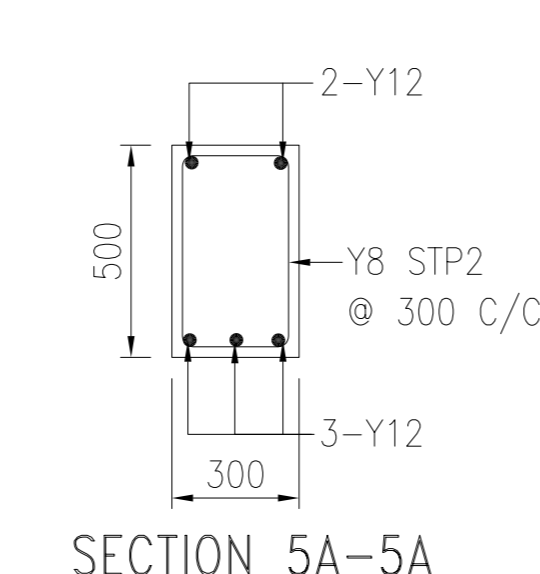
L.S OF BEAM - PB5 (300X500)



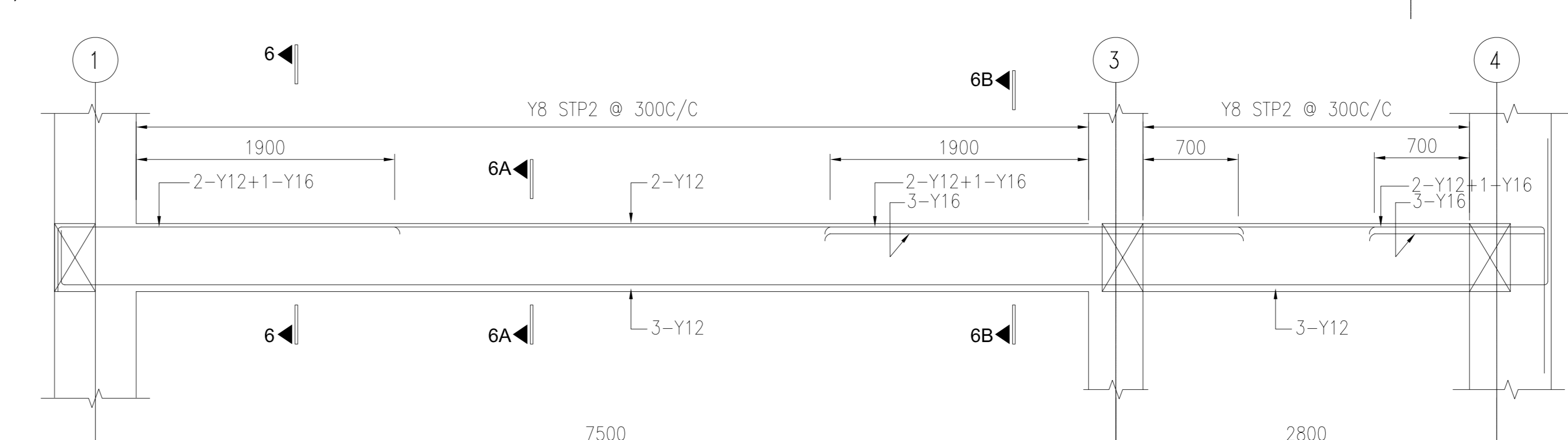
L.S OF BEAM - PB5 (300X500)



SECTION 5-5



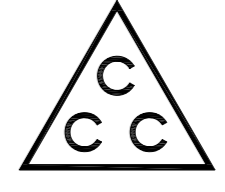
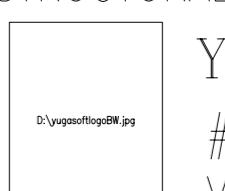
SECTION 5A-5A



L.S OF BEAM - PB6 (300X500)

FOR GENERAL NOTES REFER
DRAWING NO : YD/PRO37/NAGA/RC/06.

PRELIMINARY-ISSUED FOR APPROVAL

1.	RO	07-05-2005		
SL.NO	REV.	DATE	DESCRIPTION	SIGN
PROJECT: PROPOSED HOSPITAL BUILDING FOR GOVERNMENT OF TAMILNADU BY SHANTHI MOHAN TRUST AT NAGABATTINAM				
TURNKEY CONTRACTORS:-				
 CONSOLIDATED CONSTRUCTION CONSORTIUM LTD #5 2nd LINK STREET, C.I.T COLONY MYLAPORE, CHENNAI 600 004				
ARCHITECTS:-				
RAJENDRAN ASSOCIATES ARCHITECTS AND INTERIOR DESIGNERS				
STRUCTURAL CONSULTANTS:-				
 YUGASOFT - DESIGN DEPARTMENT #13, WEST SIVAN KOIL STREET VADAPALANI, CHENNAI - 26				
TITLE:- PLINTH BEAM DETAILS				
SHEET 1 OF 8				
DRAWN	SAKTHI	CHECKED	KMD	DATE : 07-05-2005
DESIGNED	AS	APPROVED	KMD	SCALE 1:25
DWG.NO:- YD/PRO37/NAGA/RC/07				REV
				RO