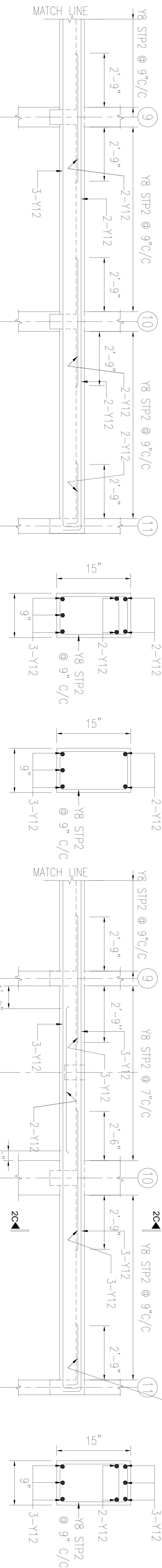


L.S. OF BEAM - FB1 (9"X15")



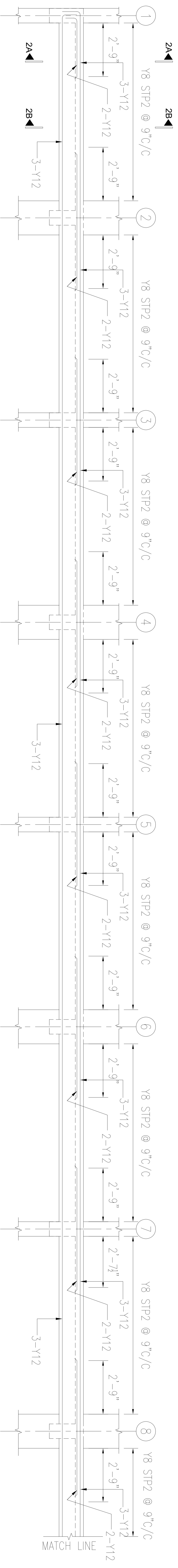
L.S. OF BEAM - FB2 (9"X15")

SECTION 1A-1A

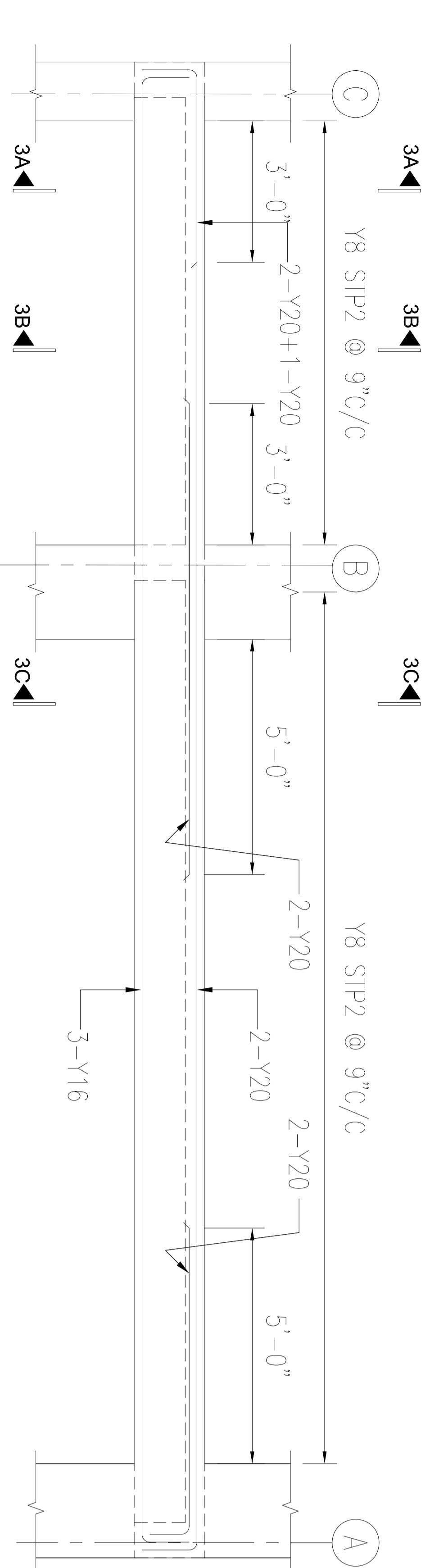
SECTION 1B-1B

L.S. OF BEAM - FB2 (9"X15")

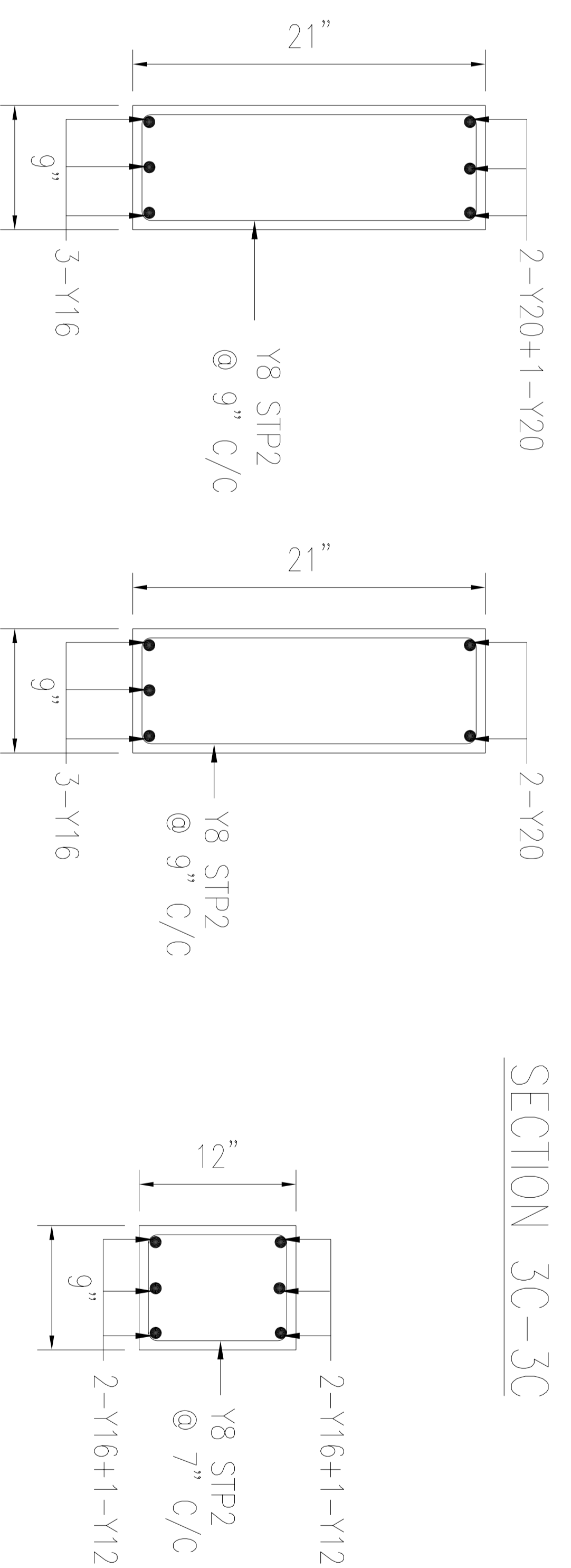
SECTION 2A-2A



L.S. OF BEAM - FB2 (9"X15")



L.S. OF BEAM - FB5 (9"X21")



SECTION 3A-3A

SECTION 3B-3B

C.S. OF BEAM FB9 (9"X12")

NOTES:

1. ALL DIMENSIONS ARE IN "FOOT AND INCHES".
2. GRADE OF CONCRETE SHALL BE M20
3. Y - DENOTES HYSD BARS CONFORMING TO IS: 1786 - 1983
4. LAP LENGTH SHALL BE 40 TIMES THE DIA OF BAR
4. CLEAR COVER TO OUTERMOST REINFORCEMENT SHALL BE 1" FOR BEAM.
5. READ THIS DRG ALONGWITH RELAVANT ARCH. DRG. DISCREPANCY IF ANY SHOULD BE BROUGHT TO THE NOTICE OF THE ENGINEER.

SLNO	REV.	DATE	DESCRIPTION	SIGN
1.	R0	19-04-2006	RELEASED FOR CONSTRUCTION	

PROJECT:-  
PROPOSED SCHOOL BUILDING  
AT SOLINGANALLUR.

CLIENT:-  
M.CHANDRASEKAR.

TITLE:-		RC DETAILS OF FIRST FLOOR BEAMS		SHEET 1 OF 2	
DESIGNED	AS	APPROVED	RSR	SCALE	1:8
DRAWN	DEWARAJ	CHECKED	AS	DATE	19-04-2006
REV.					

DMG:ND-- YD/PRO/GS/RC/08