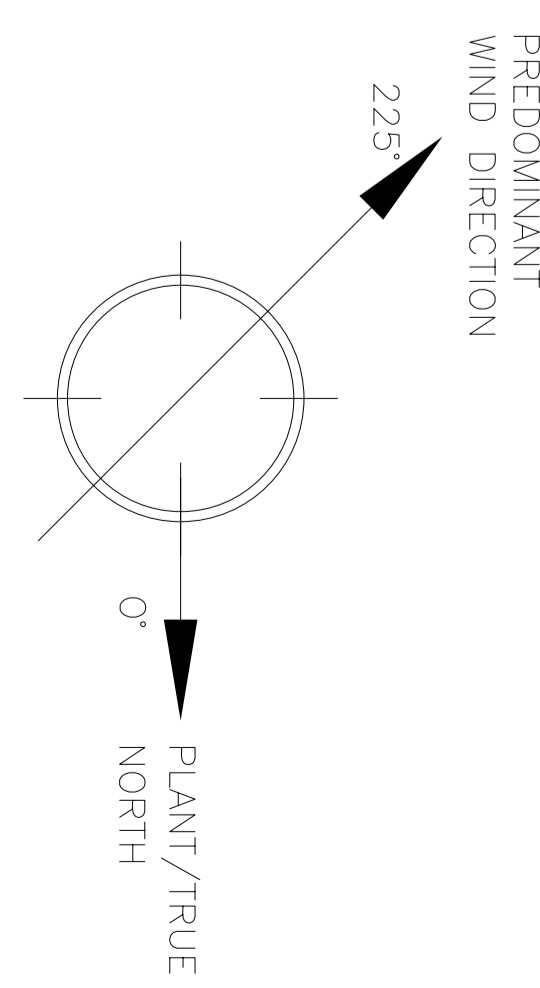


NORTH:-



1. ALL DIMENSIONS ARE IN mm UNLESS OTHERWISE MENTIONED.
2. FOR GENERAL INFORMATION REFER DRG.NO:YUGASOFT / CCCL / TECHNP / SUB / 02
3. THIS DRAWINGS SHALL BE READ IN CONJUNCTION WITH DRG. NO. 11180000 /DW1724000/10 - REV.0
4. FOR DETAILS OF FOOTING AND COLUMNS REFER DRG:NO:YUGASOFT / CCCL / TECHNP / SUB / 02

THIS DWG. IS BASED ON TECHNP REFER DRG NO. 11180000 /DW1724000/10

APPROVED BY TECHNP

REV.	DATE	DESCRIPTION	SIGN
5.	R4	01-06-05	REVISED AS PER YOUR COMMENT Dt. 27-05-05
4.	R3	23-05-05	LAYOUT CHANGED AS PER ARCHITECTURAL REQUIREMENT
3.	R2	25-04-05	HOLD ON FOOTINGS REMOVED
2.	R1	22-04-05	RELEASED FOR APPROVAL
1.	R0	12-04-05	RELEASED FOR APPROVAL

PROJECT:-
ETHYLENE STORAGE TERMINAL FACILITY AT KARAIKAL

CLIENT:-
TECHNP INDIA

TURNKEY CONTRACTORS:-

CONSOLIDATED CONSTRUCTION CONSORTIUM LTD
#5 2nd LINK STREET,C.I.T COLONY
MYLAPORE, CHENNAI 600 004

STRUCTURAL CONSULTANTS:-

YUGASOFT - DESIGN DEPARTMENT
#13, WEST SWAN KOLL STREET
VADAPALANI, CHENNAI - 26

TITLE:-
SUB STATION & CONTROL ROOM COLUMN & FOOTING LAYOUT

DESIGNED	AS	APPROVED	KMD	SCALE	1:50	REV.
DRAWN	MKK	CHECKED	RSR	DATE	: 19.04.05	R4
DRG.NO	YD / PRO35 / ESTF / RC / 01					

