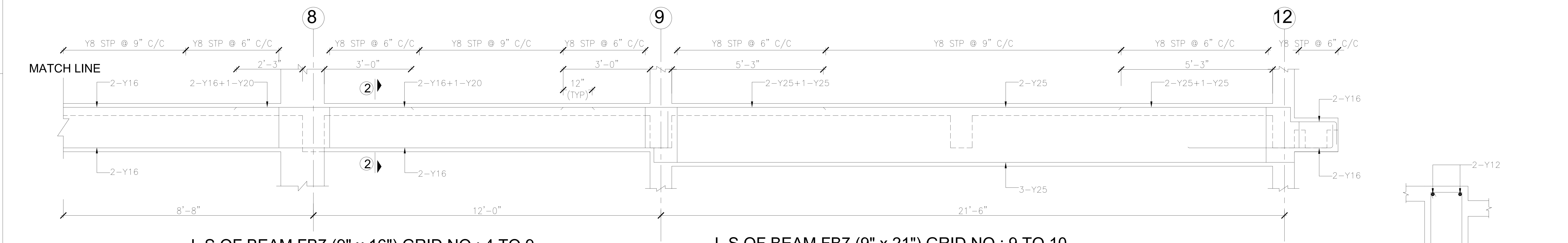


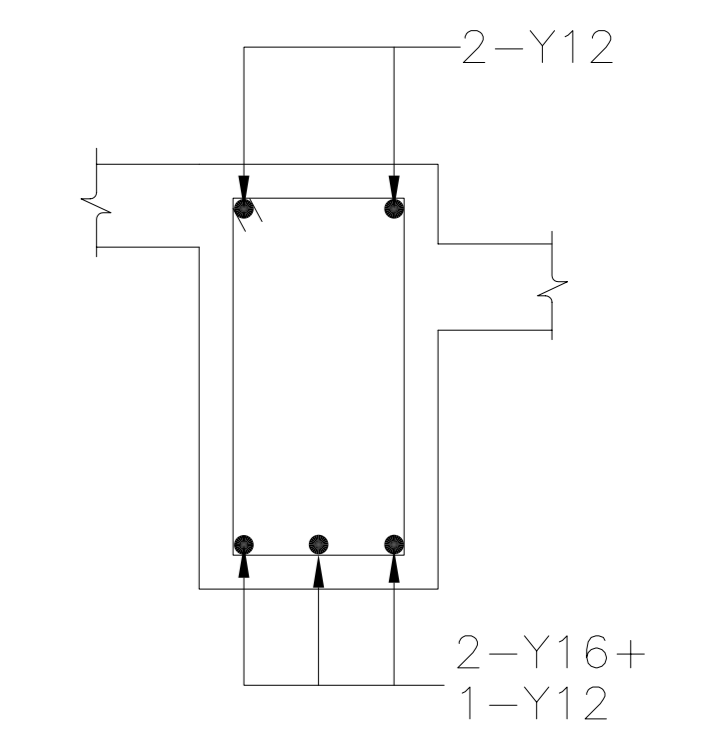
L.S OF BEAM FB7 (9" x 21") GRID NO : 1 TO 4

L.S OF BEAM FB7 (9" x 16") GRID NO : 4 TO 9

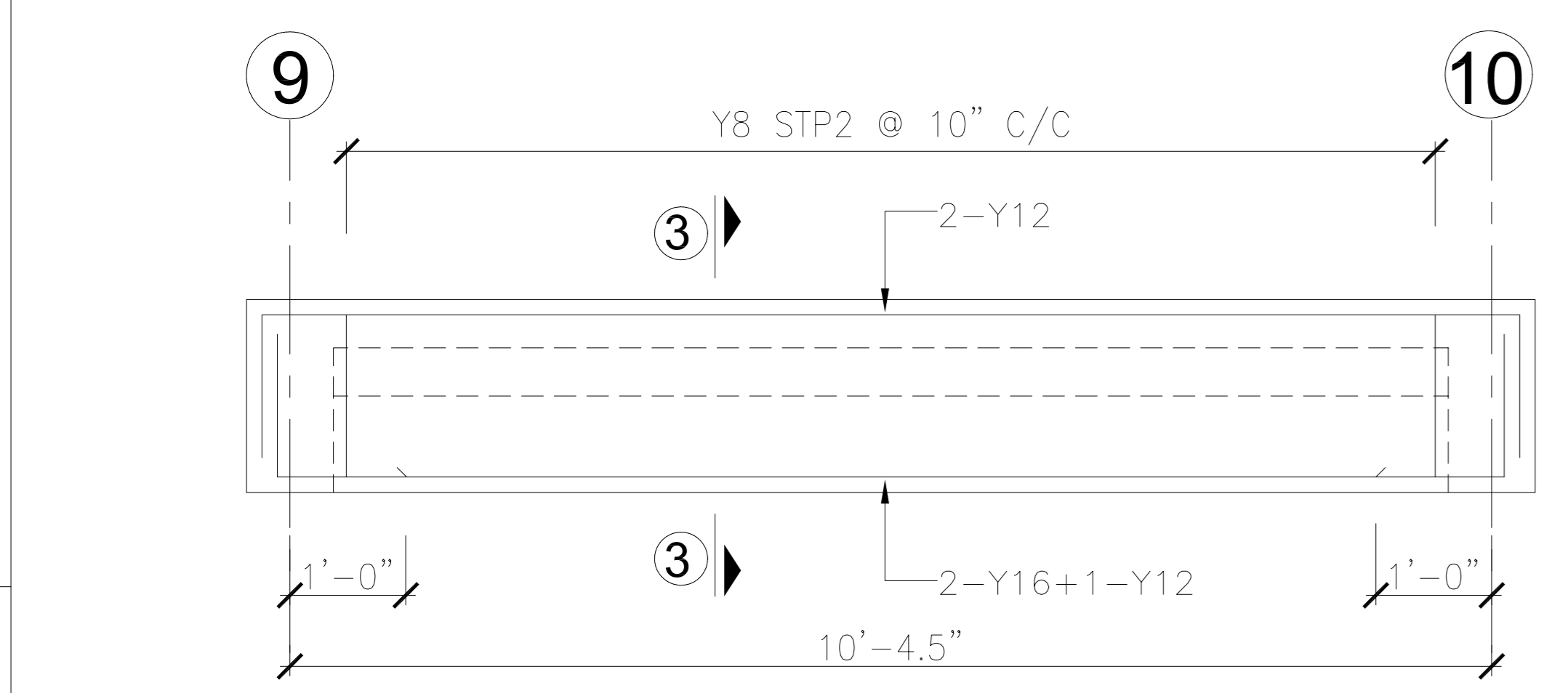


L.S OF BEAM FB7 (9" x 16") GRID NO : 4 TO 9

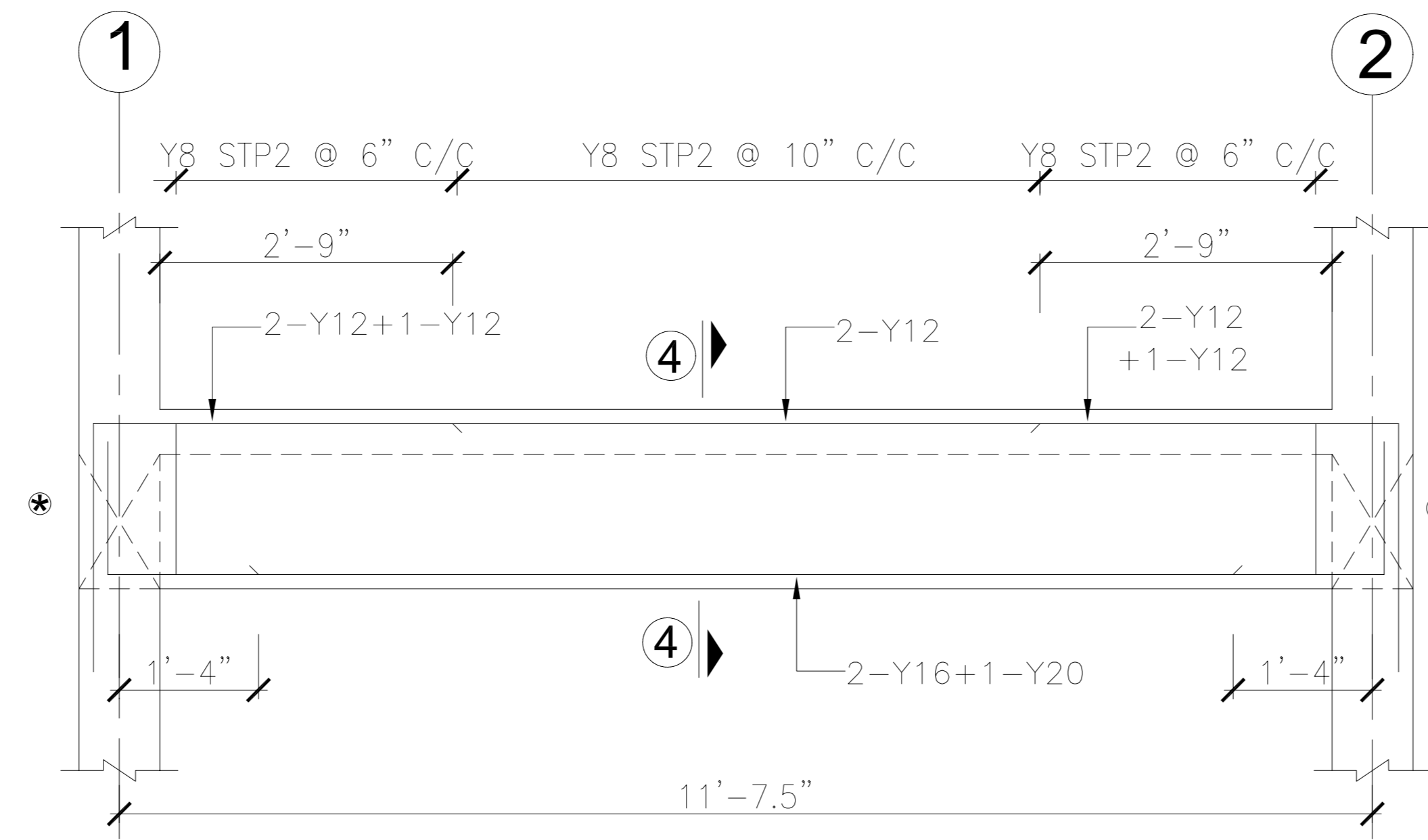
L.S OF BEAM FB7 (9" x 21") GRID NO : 9 TO 10



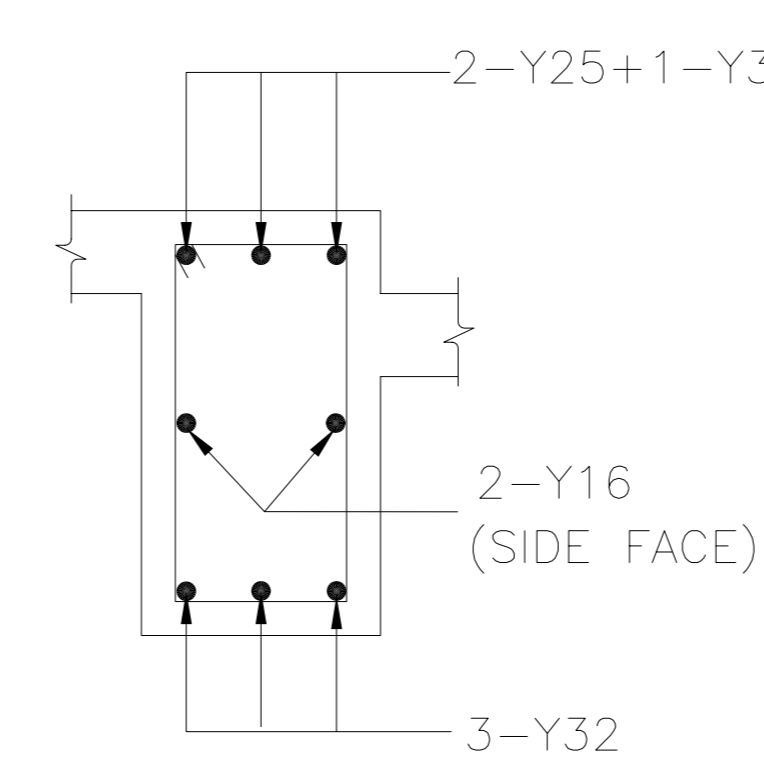
SECTION 3-3 (9"X16")



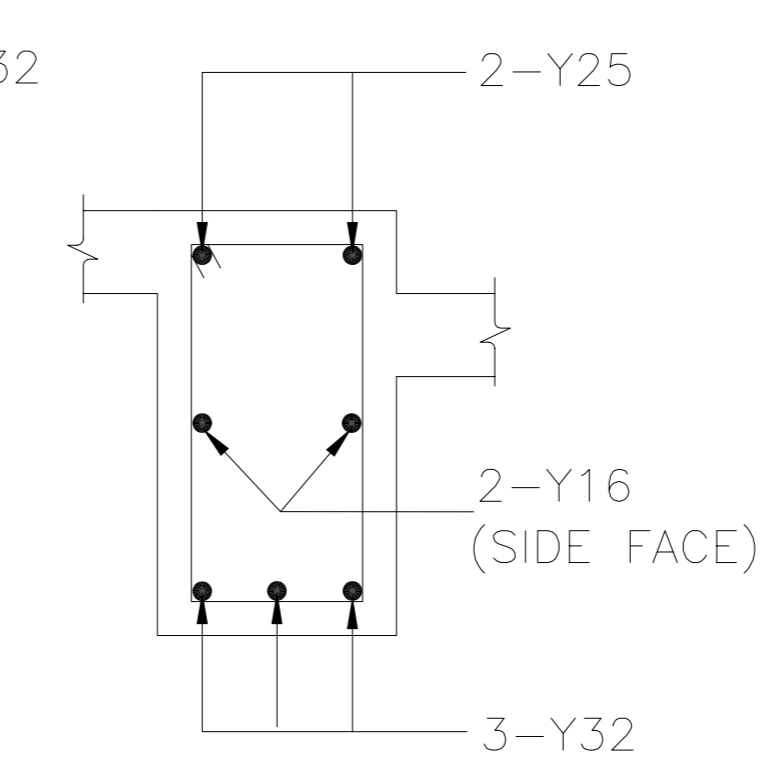
L.S OF BEAM FB10 (9" x 16")



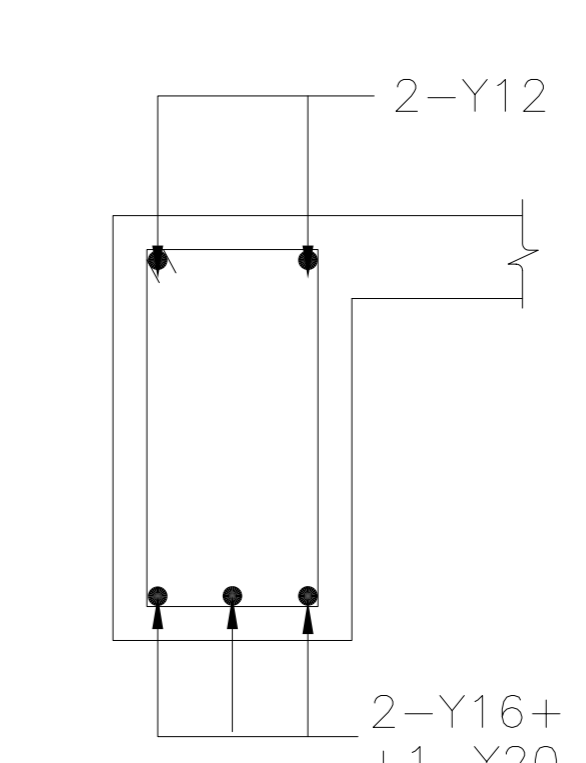
L.S OF BEAM FB11 (9" x 16")



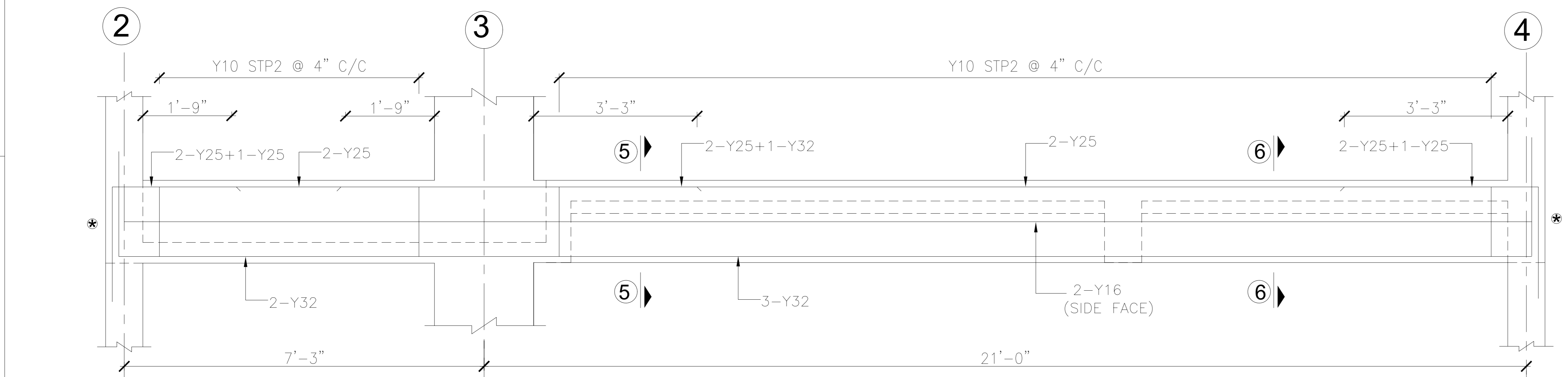
SECTION 5-5 (9"X16")



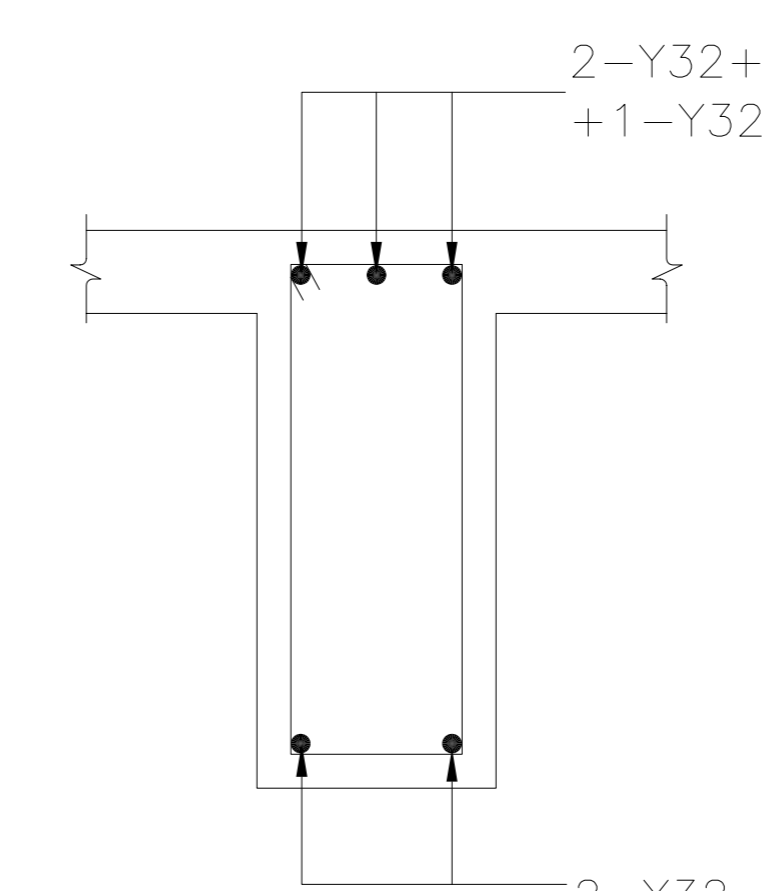
SECTION 6-6 (9"X16")



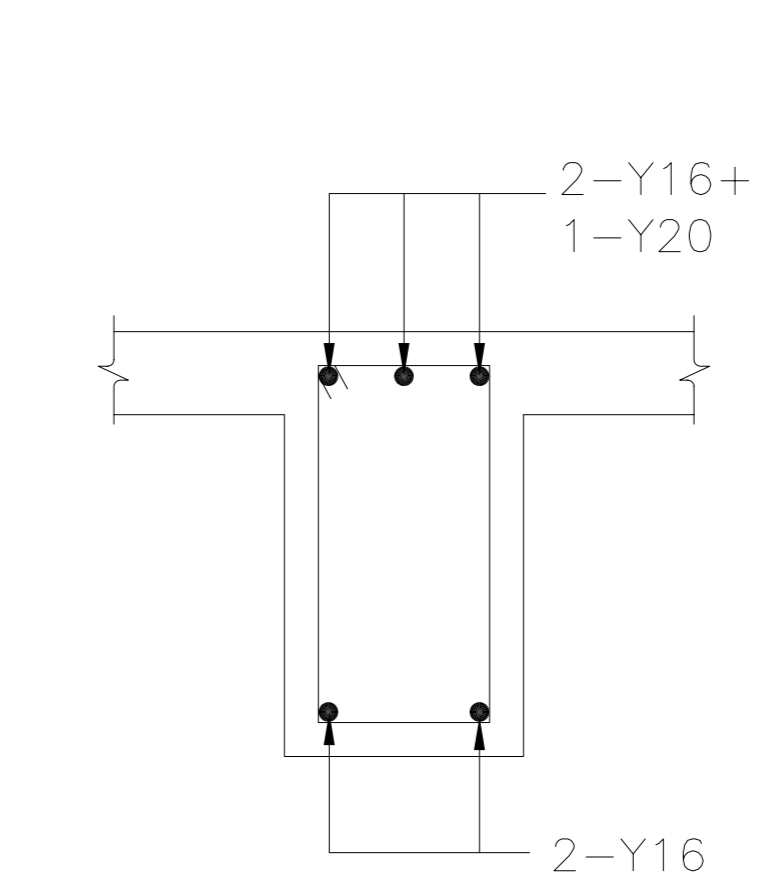
SECTION 4-4 (9"X16")



L.S OF BEAM FB12 (9" x 16")



SECTION 1-1 (9"X21")



SECTION 2-2 (9"X16")

ALL DIMENSIONS ARE IN MILLIMETRES & ALL LEVELS ARE IN METRES
* AS PER DWG:-

1.	R0	23-03-05	ISSUED FOR CONSTRUCTION	
SL.NO	REV.	DATE	DESCRIPTION	SIGN
TURNKEY CONTRACTORS:-				
CONSOLIDATED CONSTRUCTION CONSORTIUM LTD #5 2nd LINK STREET, C.I.T COLONY MYLAPORE, CHENNAI 600 004				
PROJECT: PROPOSED FLATS AT DOOR NO:39/20, VENKATARATHINAM NAGAR, ADYAR, CHENNAI-600020.				
CLIENT: YUGAHOMES LIMITED #13, WEST SHIVAN KOIL STREET VADAPALANI, CHENNAI - 26				
ARCHITECTS: edifice.				
YUGASOFT (A Division of CCCL) #13, West Shivan Koil Street, Vadapalani, Chennai - 26.				
TITLE: FLOOR BEAM DETAILS				
DRAWN	SAKTHI	CHECKED	RSR	DATE: 23-03-05
DESIGNED	RSR	APPROVED	KMD	SCALE: 1" : 4'-0"
DWG.NO. YUGASOFT / YUGA HOMES / RC / 14				REV/ R0