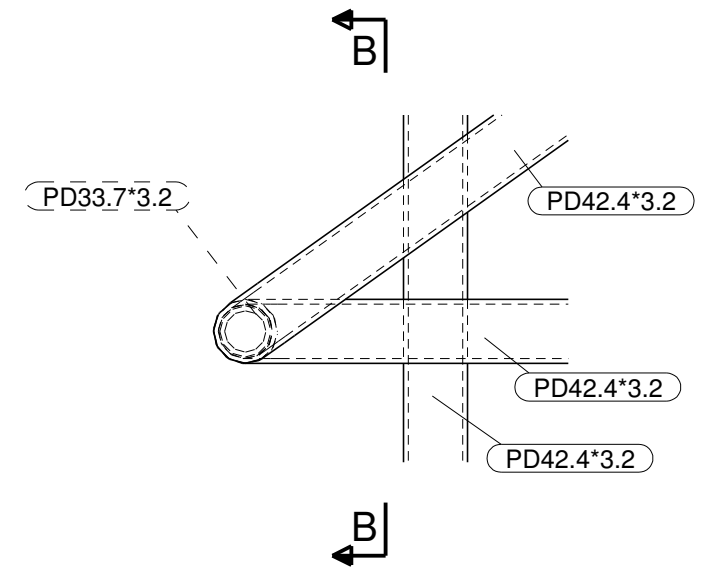


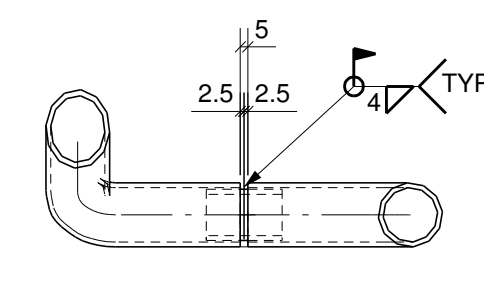
A - A

PLAN AT EL. 2.700(TOG)
REF. DRGS. 1655-06-6102-L080_R0

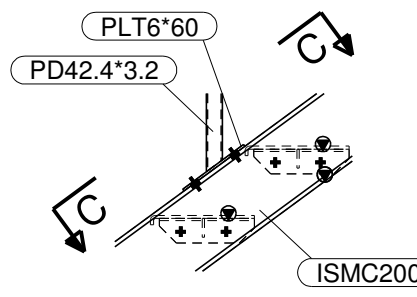
PLAN AT EL. 5.908(TOG)
REF. DRGS. 1655-06-6102-L080_R0



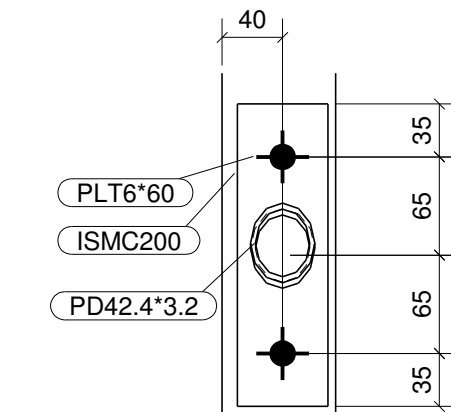
DETAIL 1



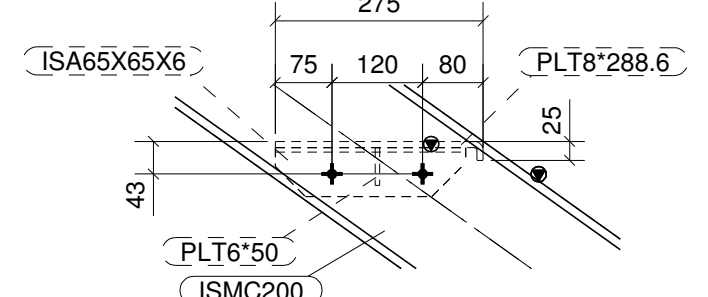
B - B



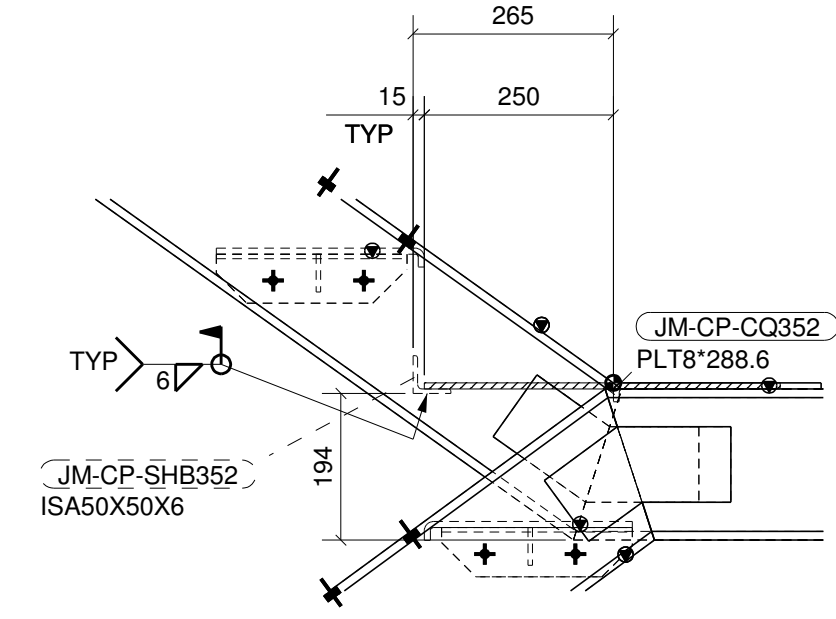
DETAIL 2



C - C



DETAIL 3



DETAIL 4

- NOTES :-
1. ALL DIMENSIONS ARE IN mm.(UNO)
 2. ALL LEVELS ARE IN m.(UNO)
 3. FOR GENERAL NOTES, PLEASE REFER DRAWING NO. - 1655-06-6500-L001

REF. DWG. NO.	REFERENCE DRAWING TITLE	REF. DWG. NO.	REFERENCE DRAWING TITLE
1655-06-6102-L009_R1	BASE PLATE LAYOUT	1655-06-6102-L019_R0	ELEVATION ON GRID D
1655-06-6102-L010_R0	BASE PLATE DETAILS	1655-06-6102-L020_R1	ELEVATION ON GRID E & F
1655-06-6102-L011_R0	BASE PLATE DETAILS	1655-06-6102-L021_R1	ELEVATION ON GRID G & H
1655-06-6102-L012_R1	ELEVATION ON GRID 1&2	1655-06-6102-L023_R1	ROOF LAYOUT BETWEEN GRID 1& 2
1655-06-6102-L013_R1	ELEVATION ON GRID 3	1655-06-6102-L024_R1	TRUSS DETAILS BETWEEN GRID 1& 2
1655-06-6102-L014_R0	ELEVATION ON GRID 4	1655-06-6102-L025_R1	ROOF LAYOUT BETWEEN GRID 2& 3
1655-06-6102-L015_R0	ELEVATION ON GRID 5	1655-06-6102-L026_R1	TRUSS DETAILS BETWEEN GRID 2& 3
1655-06-6102-L016_R1	ELEVATION ON GRID A	1655-06-6102-L027_R1	ROOF LAYOUT BETWEEN GRID 3& 5
1655-06-6102-L017_R0	ELEVATION ON GRID B	1655-06-6102-L028_R0	TRUSS DETAILS BETWEEN GRID 3& 5
1655-06-6102-L018_R0	ELEVATION ON GRID C	1655-06-6102-L029_R0	TRUSS DETAILS BETWEEN GRID 2-3 & G-H

CONSULTANT **AkerSolutions™**
Powergas House, iTHINK Techno Campus, Kanjur Marg (East), Mumbai 400 042, India

CLIENT **JOHNSON MATTHEY** Chemicals India Pvt. Ltd.
C/o ICI INDIA LTD. Parki Works.

CONTRACTOR **CONSOLIDATED CONSTRUCTION CONSORTIUM LTD.**
REGISTERED OFF: #5 - 2nd LINK STREET, C.I.T COLONY
MYPALORE, CHENNAI - 600 004 INDIA

REV.	DATE	REVISIONS	BY	CHKD	APPD
1	12.10.2010	REVISED AS PER COMMENTS & ISSUED FOR CONSTRUCTION	CA	RJ	JRR
0	05.10.2010	ISSUED FOR APPROVAL	CA	RJ	JRR

PROJECT **JMC PLANT (COLT)**

TITLE **COLT PLANT
DETAIL OF STAIRCASE FOR PLATFORM BETWEEN GRID 5 TO 7'**

SCALE	JOB NO.	DWG. NO.	REV.
1:5	DC 67	1655-06-6102-E-064	1